

Professional manufacturer of locker locks

**KERONG**

Hotline: +86-755-28396063  
Mobile: + 86-13420991032  
Email: [betty@kerong.hk](mailto:betty@kerong.hk)  
Address: 3rd Building,68# Tongli Road, Tongle  
Community, Baolong Street, Longgang  
District, Shenzhen, Guangdong, China  
Zip code: 518116



# Product Catalogue

## Smart Cabinet Locks



TECHNOLOGY INTO LIFE

# CONTENTS

---

## Brand Profile

Company Introduction	01
Certification	03
Our Team	05
Production environment and equipment	07

---

## Product Series

RFID Cabinet Lock	09
Digital Cabinet Lock	27
Fingerprint Cabinet Lock	43
Bluetooth Cabinet Lock	53
Multi-unlock Cabinet Lock	65
Electronic Cam Lock	77
Glass Cabinet Lock	101
File Cabinet Lock	106

---



# COMPANY INTRODUCTION

Professional manufacturer of locker locks



Founded in 2002, KERONG has specialized in the development, manufacture and sale of cabinet locks, control boards, etc cabinet accessories, The plant covers an area of 10,000 square meters, include stamping workshop, injection molding workshop, mold workshop, electronic workshop and assembly workshop etc.

KERONG has 11 production lines for production different lock serials, such as RFID card lock, password lock, fingerprint lock, Bluetooth lock, NFC lock and cam lock, etc.

KERONG currently has 25 R&D personnel and many utility model patents and invention patents; We are happy to accept ODM and OEM.

KERONG passed ISO9001 product quality system certification and ISO 14001 environmental management system certification.

In the future, KERONG will continue to innovate, strictly grasp quality control, insist on being a reliable partner for customers, and provide customers with high-quality products and high-quality services. We practice the development strategy of "developing good products, providing good services and creating good brands". Taking intelligence, science and technology and humanization as the development direction, we devote ourselves to making a world-famous cabinet lock company by unremitting efforts.



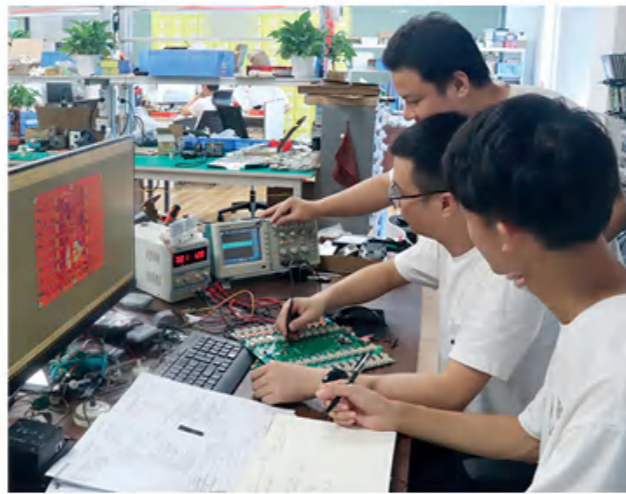
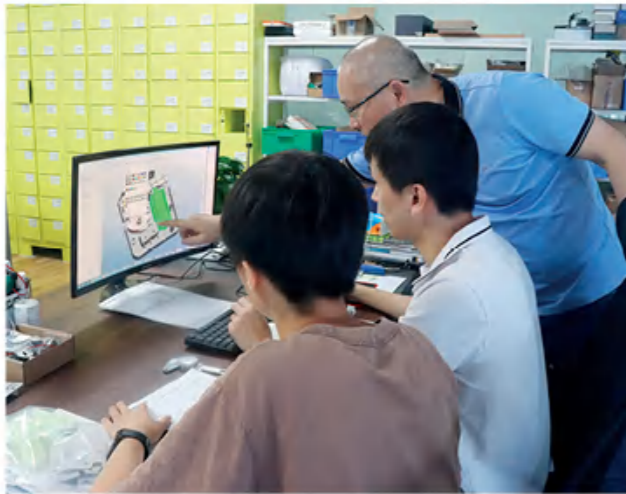
We will serve you wholeheartedly and hope to be one of your friends and business partners.

# ENTERPRISE CERTIFICATES



## OUR R & D TEAM

KERONG always adheres to the professional innovation of product as it is core competitiveness. And regards technology research and development and personnel training as the goal of company.



## OUR SALES TEAM

Our sales staffs are trained with the latest comprehensive techniques, this enables us to go from strength to strength, create an unique business model with comprehensive and professional marketing and after-sales support network.



Production Training



Production Workshop



Quality supervision

## OUR PRODUCTION

Our employees are trained with professional techniques. Each part of the production is strictly in accordance with the operation instructions and process managements. Also with regular training to ensure product quality, and all products need to meet the safety and environmental requirements of each country.



# FACTORY SCENE

At present, KERONG production workshop has eleven standardized production lines. With professional testing equipment, such as tensile strength test machine, salt spray test machine, vibration test machine, etc. We uphold attitude towards product excellence, products undergo professional quality control system.

To make sure products customers got can work, we also has a strong and comprehensive after-sale support network to protect customers' after-sales service benefits!



# PRODUCTION EQUIPMENT



Welding Workshop



Assembly Workshop



PCB Warehouse



Aging Test

## KR-B Panel



Card



Low voltage alarm



Emergency power



Remote upgrade

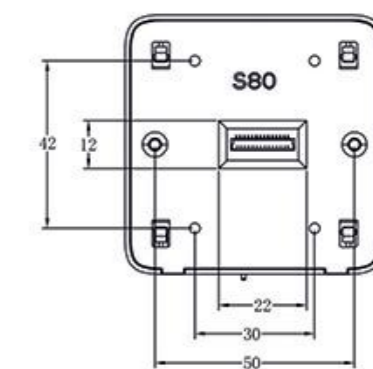


Public mode



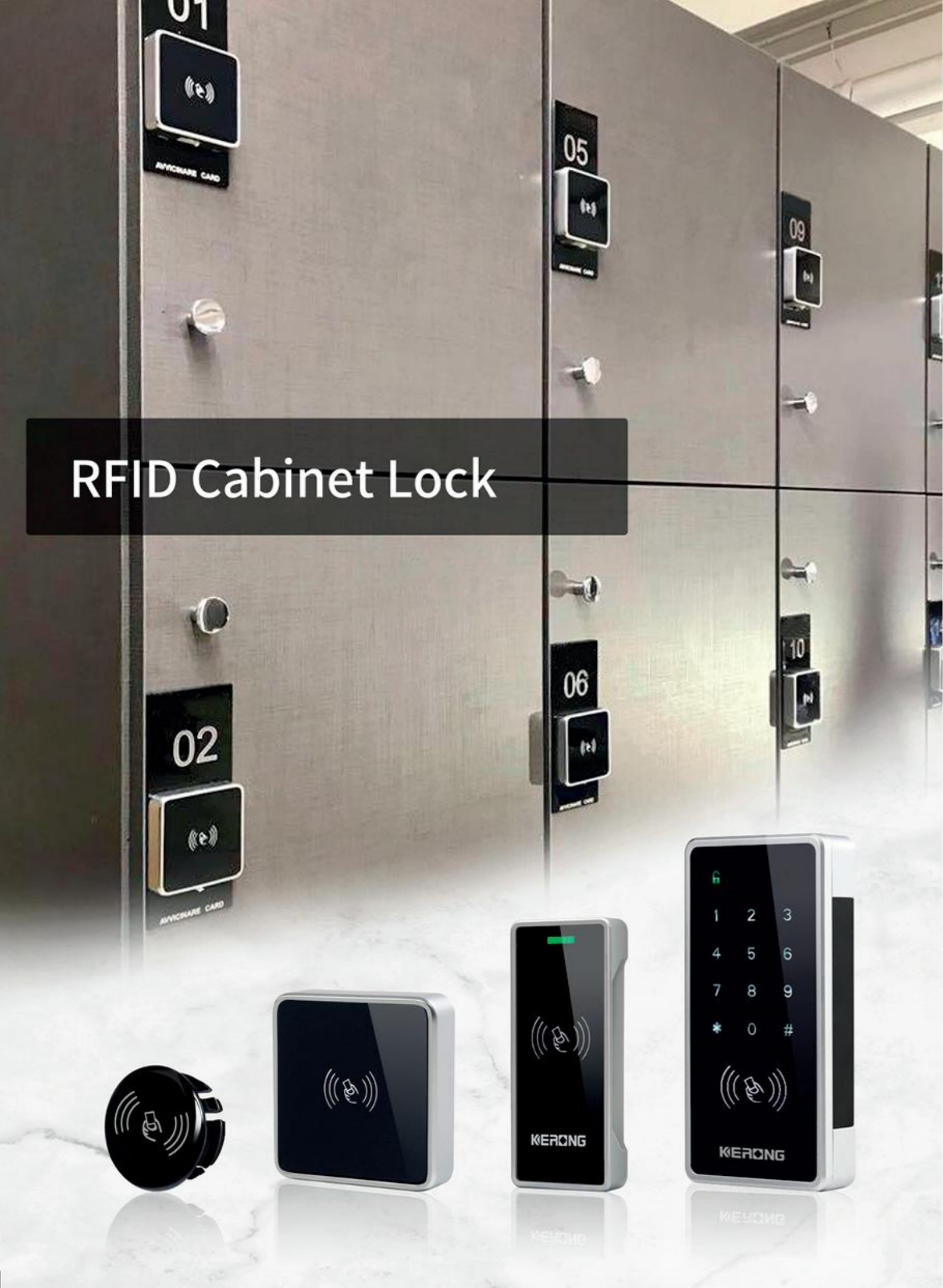
Private mode

● Black ○ White ● Silver



Material	ABS for lock body shell, Acrylic & PC for panel
Power consumption	Static power consumption <70uA Dynamic power consumption <300mA
Working voltage	DC6V(AAA 1.5Vx4pcs) Batteries can standby for around 1 year
Working environment	Working temperature -20°C ~ +65°C Working humidity 10% ~ 90%RH
Anti-static	Air static 15KV Touch static 8KV

# RFID Cabinet Lock



RFID cabinet lock

# KR-S61A



● Black ○ White ● Grey



Card



Low voltage alarm



Emergency power



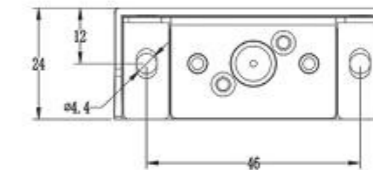
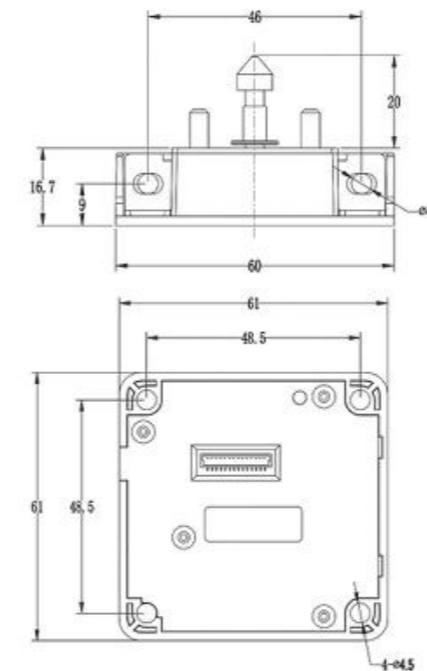
Remote upgrade



Public mode



Private mode



Material	ABS for lock body shell, Acrylic & PC for panel
Power consumption	Load current < 200mA Standby current < 20mA
Working voltage	CR123A rechargeable lithium battery Low voltage alarm: 2.4V±0.1V
Working environment	Working temperature -15°C ~ +65°C Working humidity 10% ~ 90%RH
Anti-static	Air static 15KV Touch static 8KV



# KR-S80A



● Black ○ White ● Grey



Card



Low voltage alarm



Emergency power



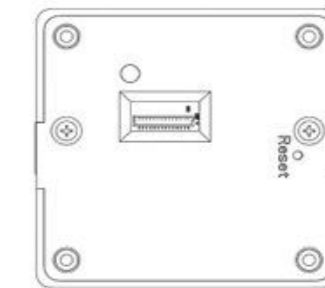
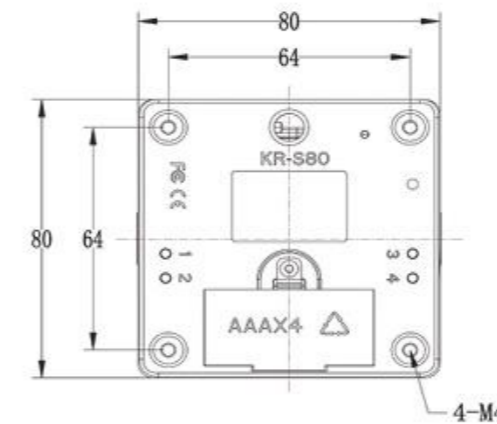
Remote upgrade



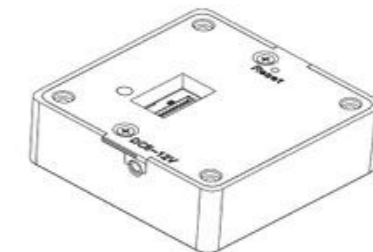
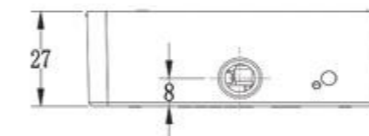
Public mode



Private mode



Installing screw hole



Material	ABS for lock body shell, Acrylic & PC for panel
Power consumption	Static power consumption <70uA Dynamic power consumption<300mA
Working voltage	DCEV(4*AAA 1.5V) Batteries can standby for around 1 year
Working environment	Working temperature -15°C ~ +65°C Working humidity 10% ~ 90%RH
Anti-static	Air static 15KV Touch static 8KV

# KR-S123A



● Black ○ White ● Grey



Card



Low voltage alarm



Emergency power



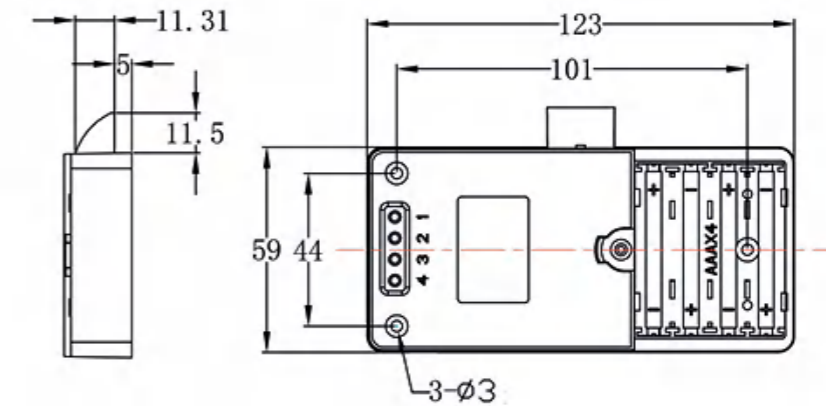
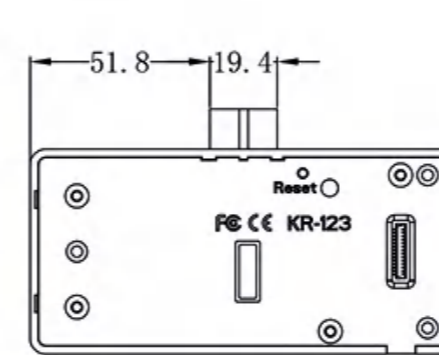
Remote upgrade



Public mode



Private mode



Material	ABS for lock body shell, Acrylic & PC for panel
Power consumption	Static power consumption <70uA Dynamic power consumption<300mA
Working voltage	DC6V(4*AAA 1.5V) Batteries can standby for around 1 year
Working environment	Working temperature -15°C ~ +65°C Working humidity 10% ~ 90%RH
Anti-static	Air static 15KV Touch static 8KV

# KR-S90A



● Black ○ White ● Grey



Card



Low voltage alarm



Emergency power



Remote upgrade

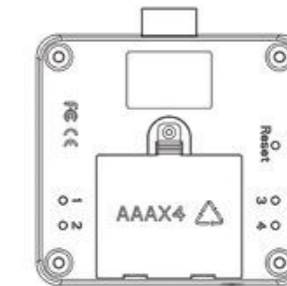
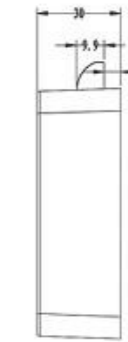
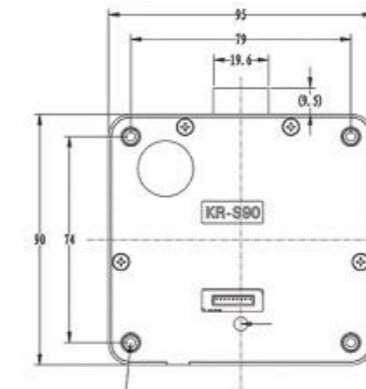


Public mode



Private mode

**A**



Material	ABS for lock body shell, Acrylic & PC for panel
Power consumption	Static power consumption <70uA Dynamic power consumption <300mA
Working voltage	DC6V(AAA 1.5Vx4pcs) Batteries can standby for around 1 year
Working environment	Working temperature -20°C ~ +65°C Working humidity 10% ~ 90%RH
Anti-static	Air static 15KV Touch static 8KV

RFID cabinet lock

## KR-S8080A



Card



Low voltage alarm



Emergency power

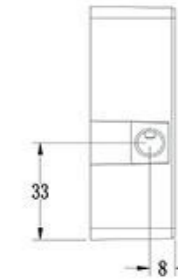
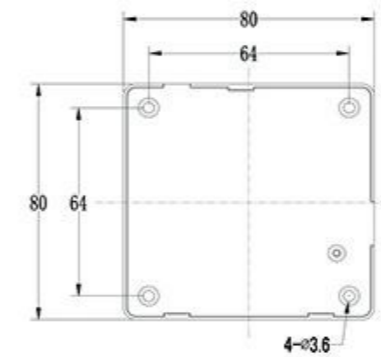


Public mode



Private mode

● Black ○ White ● Grey

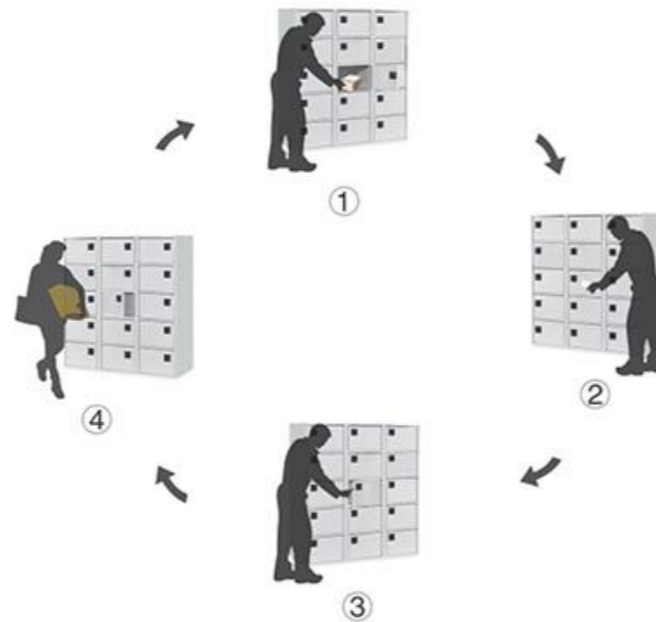


Material	ABS for lock body shell, Acrylic & PC for panel
Power consumption	Static power consumption <70uA Dynamic power consumption<300mA
Working voltage	DC6V(4*AAA 1.5V) Batteries can standby for around 1 year
Working environment	Working temperature -15°C ~ +65°C Working humidity 10% ~ 90%RH
Anti-static	Air static 15KV Touch static 8KV

# OPERATING MODE

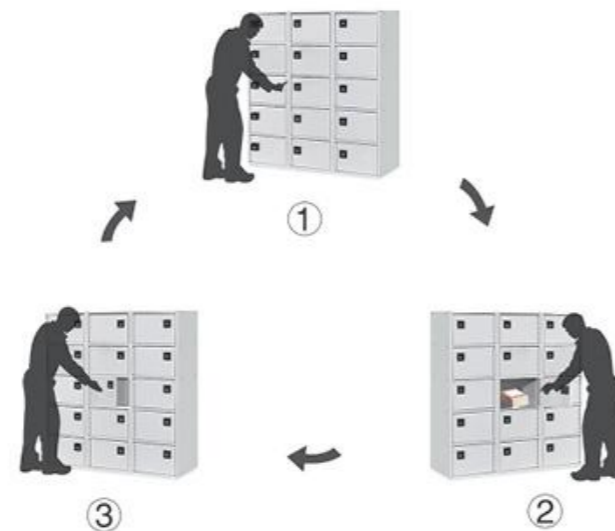
## Public Mode

- 1.Put your belongings into the box.
- 2.Input a card/password(with 4~8 digits) to lock the box.
- 3.When you came back, input the same password to unlock the box, then take out your belongings.
- 4.The box is available for next user.



## Limited Public Mode

- 1.Input user card/password(with 4~8 digits) to unlock the box.
- 2.Take out the belongings you need.
- 3.The box will keep unlocking until user inputs card/password to lock. User can open the box at any time without inputting card/password.



## Private Mode

- 1.Input user card/password(with 4~8 digits) to unlock the box.
- 2.Take out/put into the belongings.
- 3.Don't need to input card/password, box can be locked manually.

# ELECTRONIC EMERGENCY KEY

## KR-E65

Can only be used on the front panel, can be directly unlocked, but cannot be powered.

## KR-E9052

Unlock can only be used for front panel or lock body. When the password of the emergency key is not locked, it can be directly unlocked. Provides power and unlocks when the lock is out of power. But if the combination of the emergency key is locked, it can only be used for power supply.



### Management Equipment – Handset



- 1.Program master card, user card, time card etc
- 2.Check according box ID of certain card
- 3.Enable/Disable lock open automatically at a certain time
- 4.Time correct
- 5.Set information storage sector of the card
- 6.Set lock open after locking for a certain period
- 7.Set valid time of the card
- 8.Automatically unlock function: enable & disable.
- 9.Lock buzzer function: enable & disable
- 10.Set lock of public mode, private mode, limited public mode
- 11.Reset card information
- 12.Get unlocking records.

## KR-F Panel



● Black ○ White ● Brown



Card



Low voltage alarm



Emergency power



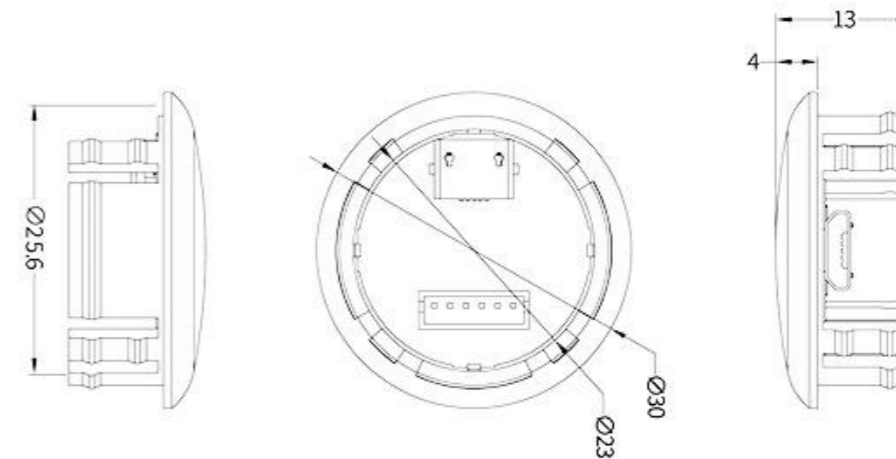
Remote upgrade



Public mode



Private mode



Material	ABS for lock body shell, Acrylic & PC for panel
Power consumption	Static power consumption <70uA Dynamic power consumption <300mA
Working voltage	DC6V(AAA 1.5Vx4pcs) Batteries can standby for around 1 year
Working environment	Working temperature -20°C ~ +65°C Working humidity 10% ~ 90%RH
Anti-static	Air static 15KV Touch static 8KV

RFID cabinet lock

# KR-E85C



Card



Low voltage alarm



Emergency power



Remote upgrade

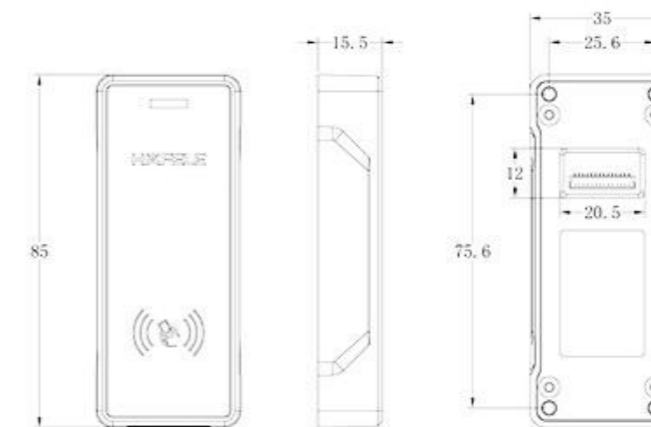
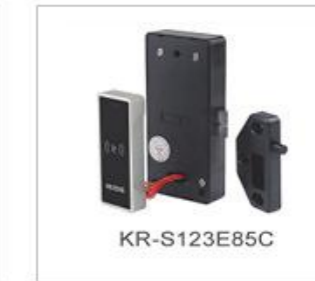


Public mode



Private mode

● Black    ○ White    ● Silver

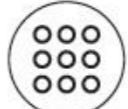







Material	ABS for lock body shell, Acrylic & PC for panel
Power consumption	Static power consumption <70uA Dynamic power consumption <300mA
Working voltage	DC6V(AAA 1.5Vx4pcs) Batteries can standby for around 1 year
Working environment	Working temperature -20°C ~ +65°C Working humidity 10% ~ 90%RH
Anti-static	Air static 15KV Touch static 8KV

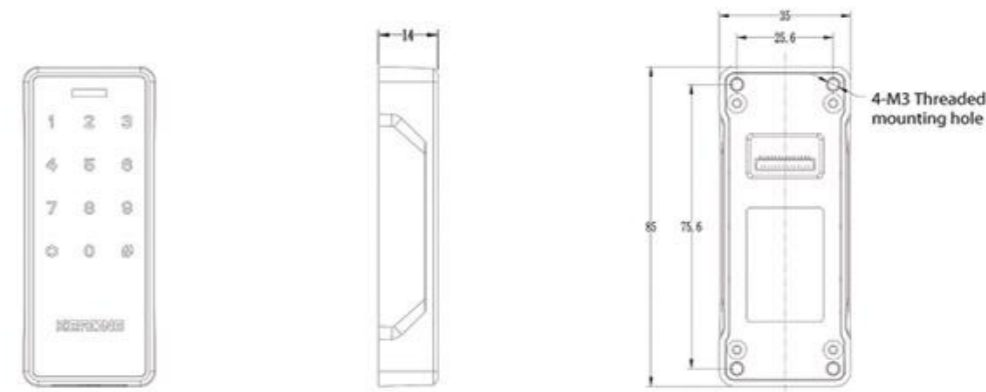
RFID cabinet lock

# KR-E85P



-  Touch screen keypad
-  Low voltage alarm
-  Emergency power
-  Remote upgrade
-  Public mode
-  Private mode

● Black    ● Silver



## Digital Cabinet Lock



Material	ABS for lock body shell, Acrylic & PC for panel
Power consumption	Static power consumption <70uA Dynamic power consumption <300mA
Working voltage	DC6V(AAA 1.5Vx4pcs) Batteries can standby for around 1 year
Working environment	Working temperature -20°C ~ +65°C Working humidity 10% ~ 90%RH
Anti-static	Air static 15KV Touch static 8KV

Digital cabinet lock



## KR-S5151



Mechanical keypad



Low voltage alarm



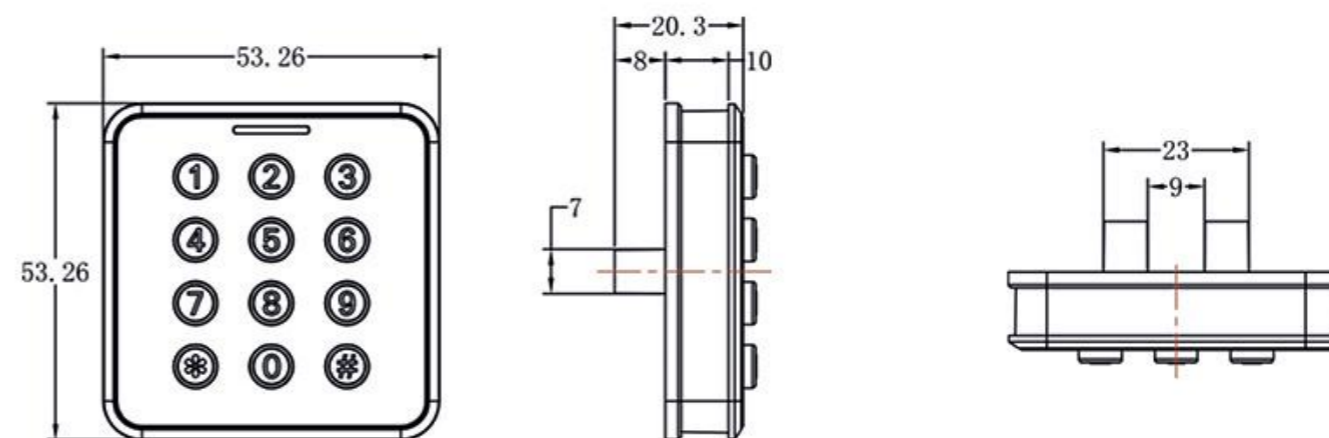
Emergency power



Public mode



Private mode



Material	ABS+PC+Zinc alloy
Response time	0.1S
Protection class	/
Working voltage	3*1.5VAAA
Working life	100000 Times
Low voltage alarm	3.5±0.1V
Working environment	-20° C-+65° C

## KR-E86



● Black ○ White



Mechanical keypad



Low voltage alarm



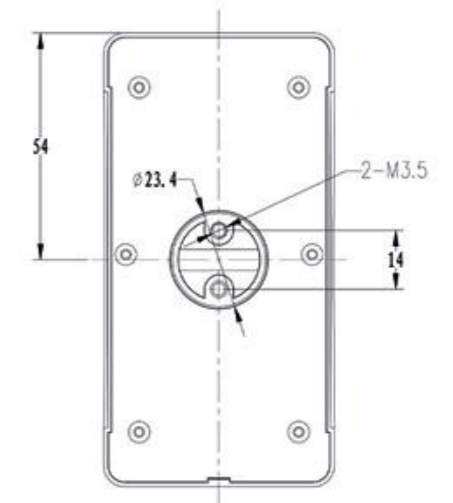
Emergency power



Public mode

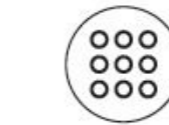


Private mode



Material	ABS+PC+Zinc alloy
Response time	0.1S
Protection class	/
Working voltage	4*1.5V AAA
Working life	100000 Times
Low voltage alarm	4.8V
Working environment	-20° C-~65° C

# KR-8044



Touch screen keypad



Low voltage alarm



Emergency power



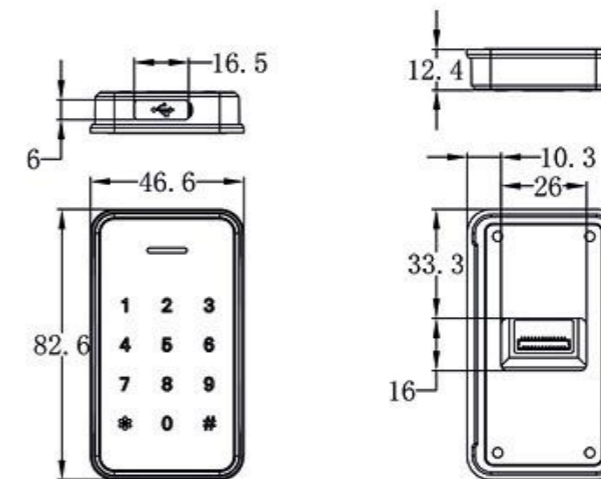
Remote upgrade



Public mode



Private mode

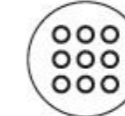


Material	ABS
Response time	0.1S
Protection class	/
Working voltage	4*1.5V AA
Working life	100000 Times
Low voltage alarm	4.5V
Working environment	-20° C-~65° C

## KR-C Panel



● Black ○ White ● Silver



Touch screen keypad



Low voltage alarm



Emergency power



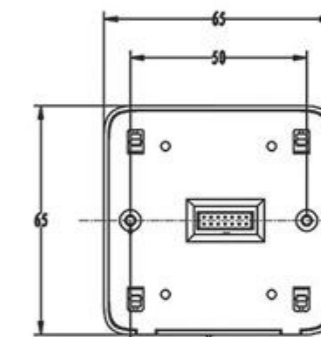
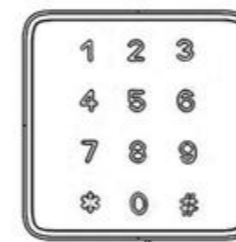
Remote upgrade



Public mode



Private mode



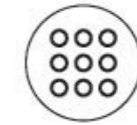
2-M3 Installing screw hole

Material	ABS for lock body shell, Acrylic & PC for panel
Power consumption	Static power consumption <70uA Dynamic power consumption <300mA
Working voltage	DC6V(AAA 1.5Vx4pcs) Batteries can standby for around 1 year
Working environment	Working temperature -20°C ~ +65°C Working humidity 10% ~ 90%RH
Anti-static	Air static 15KV Touch static 8KV

# KR-E110P



Fingerprint



Touch screen keypad



Low voltage alarm



Emergency power



Virtualization protection



Remote upgrade

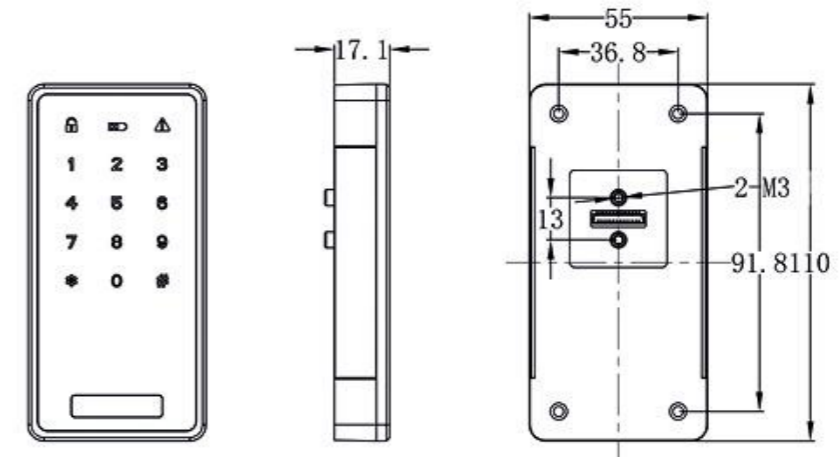


Public mode



Private mode

● Black    ○ White    ● Silver



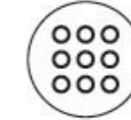
Material	ABS for lock body shell, Acrylic & PC for panel
Power consumption	Static power consumption <70uA Dynamic power consumption <300mA
Working voltage	DC6V(AAA 1.5Vx4pcs) Batteries can standby for around 1 year
Working environment	Working temperature -20°C ~ +65°C Working humidity 10% ~ 90%RH
Anti-static	Air static 15KV Touch static 8KV

Digital cabinet lock

# KR-64RP



● Black ● Brown ● Silver



Touch screen keypad



Low voltage alarm



Emergency power



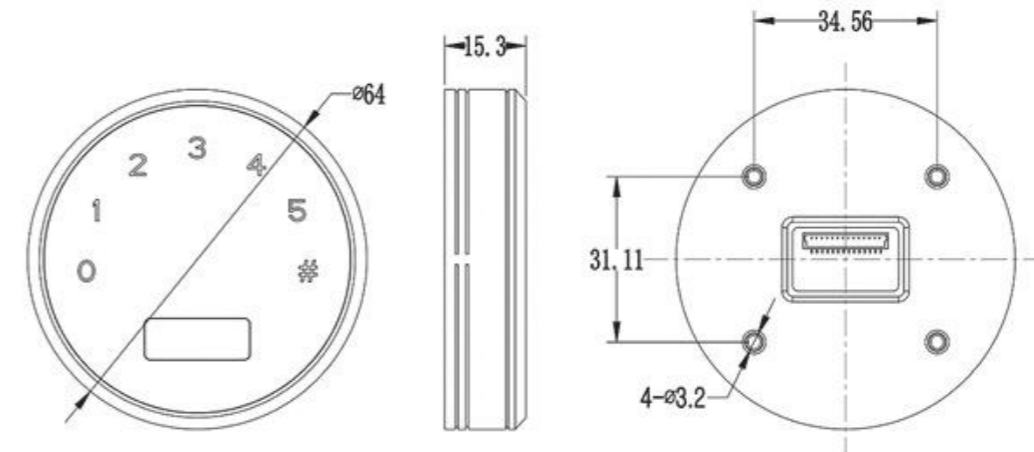
Remote upgrade



Public mode



Private mode



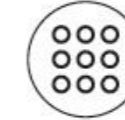
Material	ABS for lock body shell, Acrylic & PC for panel
Power consumption	Static power consumption <70uA Dynamic power consumption <300mA
Working voltage	DC6V(AAA 1.5Vx4pcs) Batteries can standby for around 1 year
Working environment	Working temperature -20°C ~ +65°C Working humidity 10% ~ 90%RH
Anti-static	Air static 15KV Touch static 8KV

Digital cabinet lock

# KR-E119



● Black    ● Silver



Touch screen keypad



Low voltage alarm



Emergency power



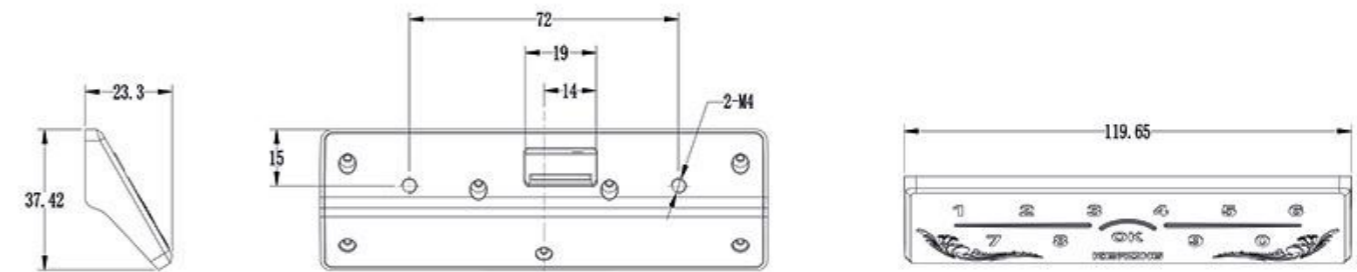
Remote upgrade



Public mode



Private mode



Material	ABS for lock body shell, 304 stainless steel & PC for panel
Power consumption	Static power consumption <100uA dynamic power consumption<200mA
Working voltage	DC6V(4*AAA 1.5V) Batteries can standby for around 1year
Working environment	Working temperature -15°C ~ +65°C Working humidity 10% ~ 90%RH
Anti-static	Air static 15KV Touch static 8KV

Digital cabinet lock

# Fingerprint Cabinet Lock

## KR-64RF



● Black ● Brown ● Silver



Fingerprint



Low voltage alarm



Emergency power



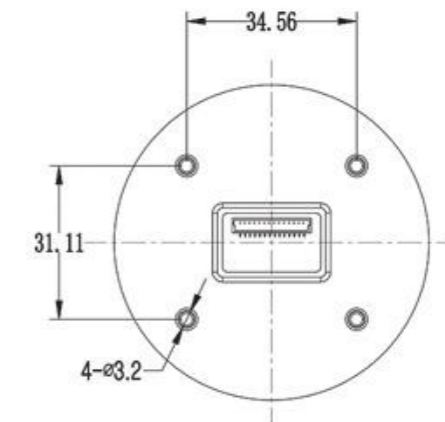
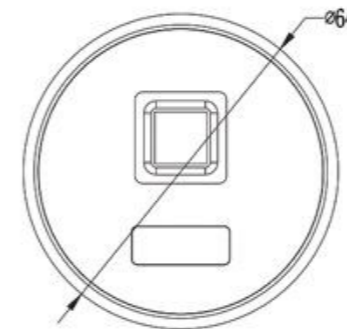
Remote upgrade



Public mode



Private mode



Material	ABS for lock body shell, Acrylic & PC for panel
Power consumption	Static power consumption <70uA Dynamic power consumption <300mA
Working voltage	DC6V(AAA 1.5Vx4pcs) Batteries can standby for around 1 year
Working environment	Working temperature -20°C ~ +65°C Working humidity 10% ~ 90%RH
Anti-static	Air static 15KV Touch static 8KV



Fingerprint cabinet lock



## KR-S3030



Fingerprint



Low voltage alarm



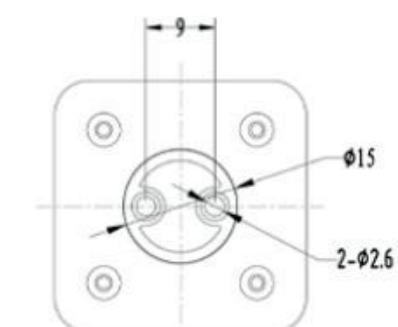
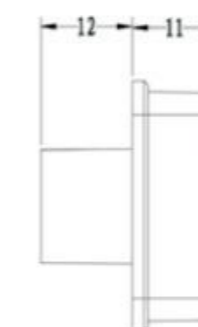
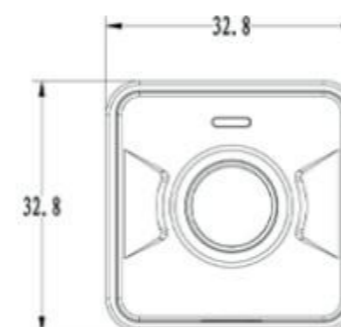
Emergency power



Public mode



Private mode



Material	ABS+PC
Response time	0.1S
Protection class	/
Working voltage	3*1.5VAAA
Working life	100000 Times
Low voltage alarm	3.6±0.1V
Working environment	-20° C~+65° C

## KR-G Panel



Fingerprint



Low voltage alarm



Emergency power



Remote upgrade

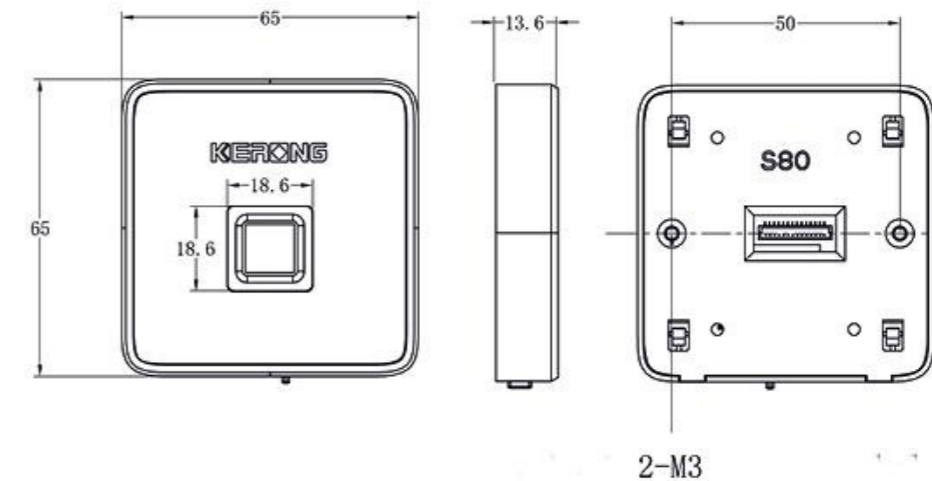


Public mode



Private mode

● Black ○ White ● Silver



Material	ABS for lock body shell, Acrylic & PC for panel
Power consumption	Static power consumption <70uA Dynamic power consumption <300mA
Working voltage	DC6V(AAA 1.5Vx4pcs) Batteries can standby for around 1 year
Working environment	Working temperature -20°C ~ +65°C Working humidity 10% ~ 90%RH
Anti-static	Air static 15KV Touch static 8KV

# KR-51SF



● Brown ● Silver



Fingerprint



Low voltage alarm



Emergency power



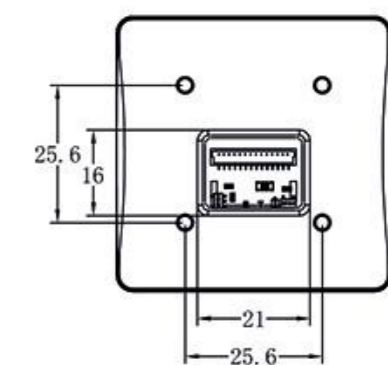
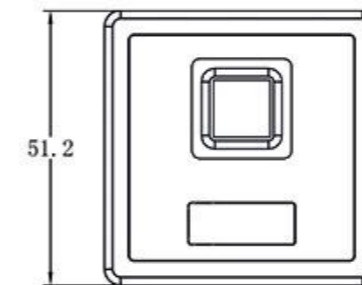
Remote upgrade



Public mode



Private mode



Material	ABS for lock body shell, Acrylic & PC for panel
Power consumption	Static power consumption <70uA Dynamic power consumption <300mA
Working voltage	DC6V(AAA 1.5Vx4pcs) Batteries can standby for around 1 year
Working environment	Working temperature -20°C ~ +65°C Working humidity 10% ~ 90%RH
Anti-static	Air static 15KV Touch static 8KV

# KR-36SF



Fingerprint



Low voltage alarm



Emergency power



Remote upgrade

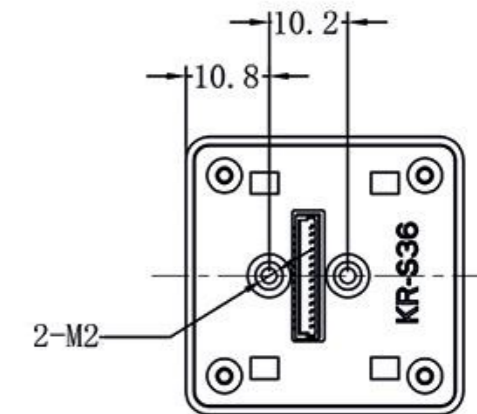
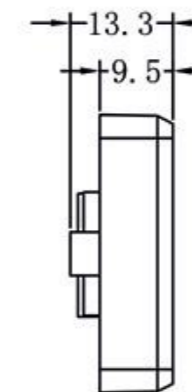
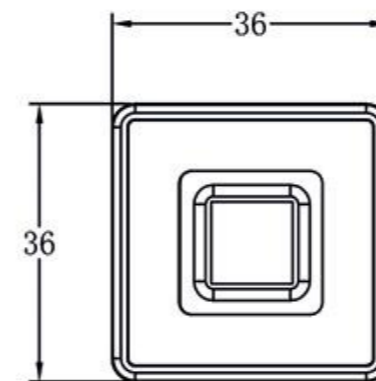


Public mode



Private mode

● Black ● Brown ● Silver

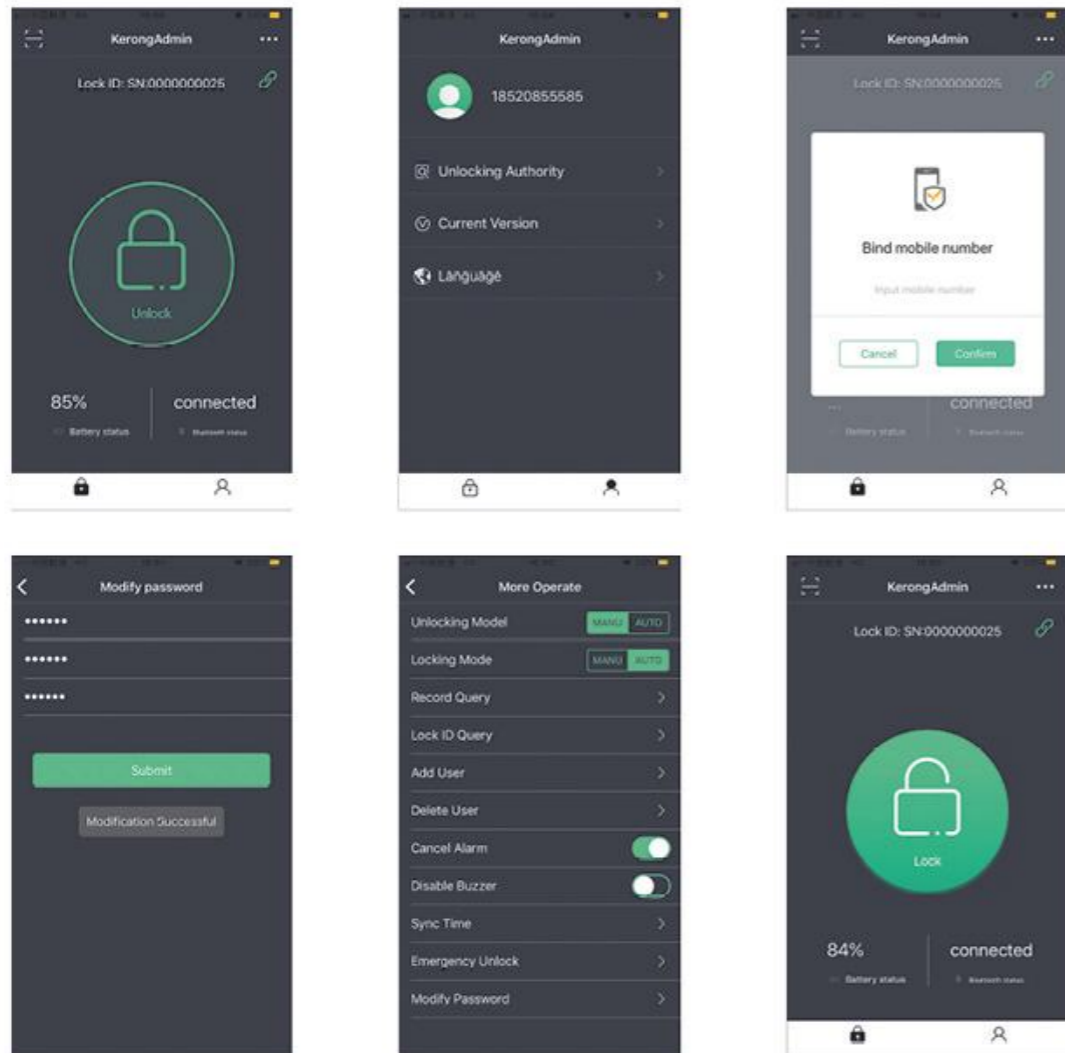


Material	ABS for lock body shell, Acrylic & PC for panel
Power consumption	Static power consumption <70uA Dynamic power consumption <300mA
Working voltage	DC6V(AAA 1.5Vx4pcs) Batteries can standby for around 1 year
Working environment	Working temperature -20°C ~ +65°C Working humidity 10% ~ 90%RH
Anti-static	Air static 15KV Touch static 8KV

The APP is a management APP designed for Bluetooth smart cabinet lock of Shenzhen Kerong Industry Co., Ltd., need to bind the Kerong smart cabinet lock by mobile phone number. The mobile phone is an “external keyboard” and “external display” of the lock.

Each lock only can be registered with one administrator, with main functions as below:

1. Support APP scanning code to unlock
2. Query user information and unlock records
3. Query the current lock ID
4. Add users by mobile phone number, set valid use time (phased use or one-time use), get unlocking password by message, or delete existing users.
5. Disable lock alarm function
6. Operate emergency unlocking directly, or offer verification code for users to unlock
7. Change unlock password

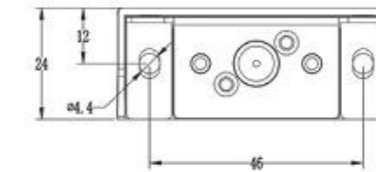
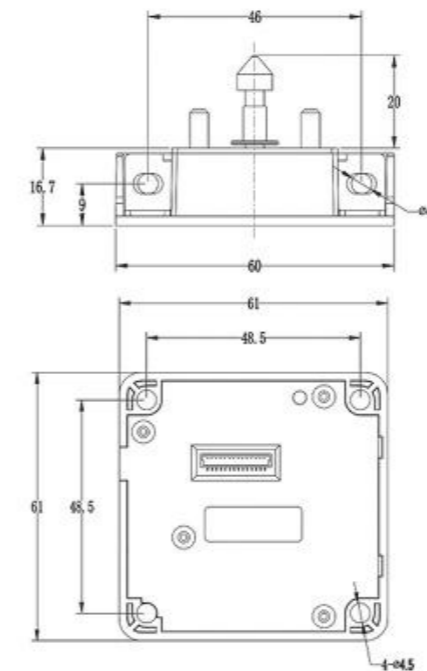


**BLUETOOTH UNLOCK BY MOBILE PHONE**  
 – You just need to download an Android/iOS APP, then you can easily lock or unlock your drawers and cabinets via Bluetooth. So you can open or close your cabinets even if you are not near to them.

## KR-S61A-BT



● Black ○ White ● Grey



Bluetooth Cabinet Lock

Bluetooth



Material	ABS for lock body shell, Acrylic & PC for panel
Power consumption	Load current < 200mA Standby current < 20mA
Working voltage	CRI23A rechargeable lithium battery Low voltage alarm: 2.4V±0.1V
Working environment	Working temperature -15°C ~ +65°C Working humidity 10% ~ 90%RH
Anti-static	Air static 15KV Touch static 8KV

## KR-S80A-BT



BLE



Card



Low voltage alarm



Emergency power



Remote upgrade

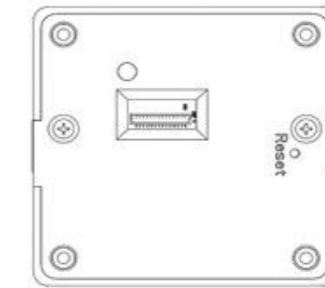
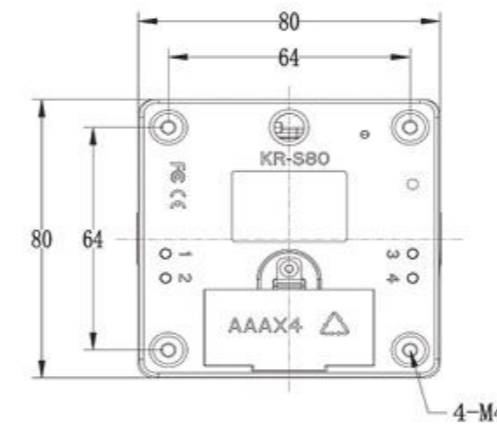


Public mode

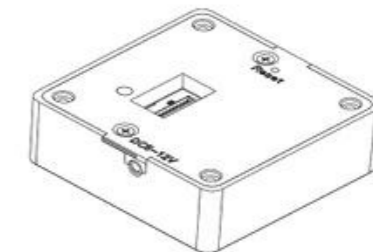
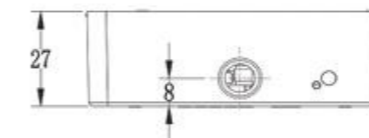


Private mode

● Black ○ White ● Grey



Installing screw hole



 **Bluetooth**



Material	ABS for lock body shell, Acrylic & PC for panel
Power consumption	Static power consumption <70uA Dynamic power consumption <300mA
Working voltage	DCEV(4*AAA 1.5V) Batteries can standby for around 1 year
Working environment	Working temperature -15°C ~ +65°C Working humidity 10% ~ 90%RH
Anti-static	Air static 15KV Touch static 8KV

## KR-S123A-BT



● Black ○ White ● Grey



BLE



Card



Low voltage alarm



Emergency power



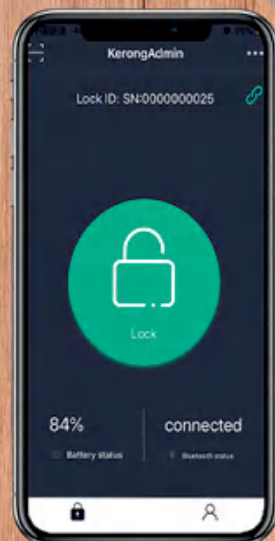
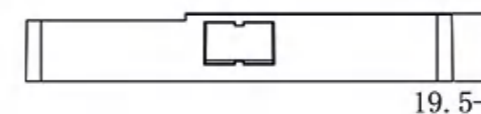
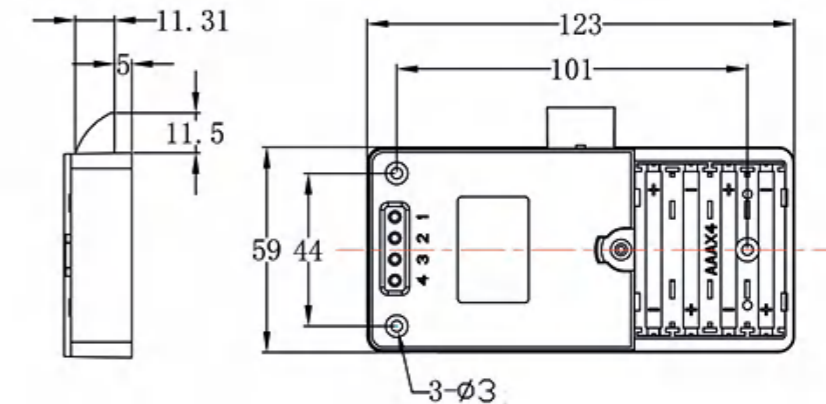
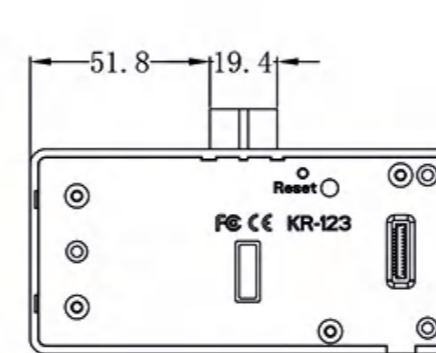
Remote upgrade



Public mode



Private mode



Material	ABS for lock body shell, Acrylic & PC for panel
Power consumption	Static power consumption <70uA Dynamic power consumption<300mA
Working voltage	DC6V(4*AAA 1.5V) Batteries can standby for around 1 year
Working environment	Working temperature -15°C ~ +65°C Working humidity 10% ~ 90%RH
Anti-static	Air static 15KV Touch static 8KV



# KR-S90A-BT



BLE



Card



Low voltage alarm



Emergency power



Remote upgrade



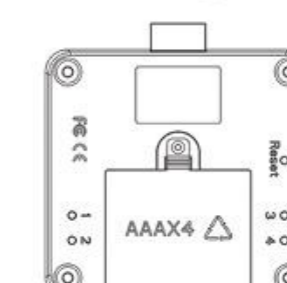
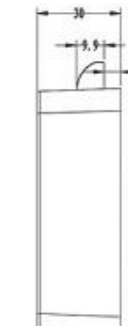
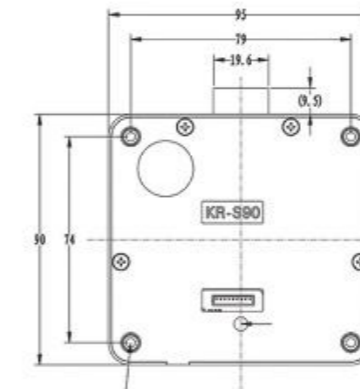
Public mode



Private mode

● Black ○ White ● Grey

A



**Bluetooth**



Material	ABS for lock body shell, Acrylic & PC for panel
Power consumption	Static power consumption <70uA Dynamic power consumption <300mA
Working voltage	DC6V(AAA 1.5Vx4pcs) Batteries can standby for around 1 year
Working environment	Working temperature -20°C ~ +65°C Working humidity 10% ~ 90%RH
Anti-static	Air static 15KV Touch static 8KV

Bluetooth Cabinet Lock

## KR-T153-BT



BLE



Password



Waterproof



Low voltage alarm



Emergency power



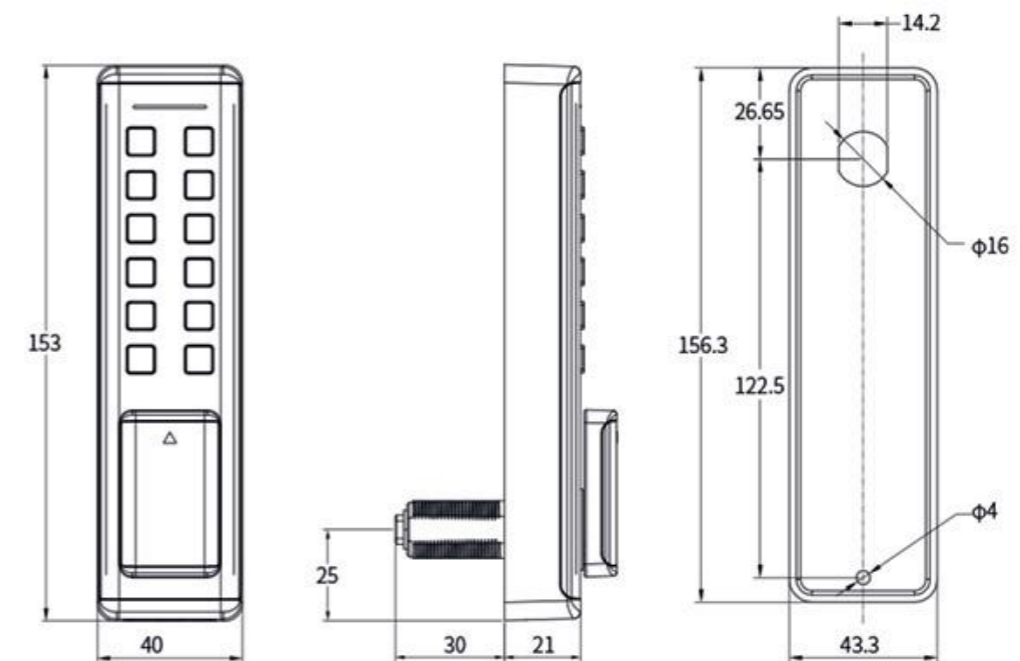
Remote upgrade



Public mode



Private mode



Material	ABS+PC+Zinc Alloy
Unlocking method	Password
Response time	0.1S
Protection class	IP66
Working voltage	3*AAA
Thickness of door	1-16mm
Low voltage alarm	3.7V
Working environment	-20°C ~+65°C



 **Bluetooth**

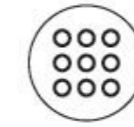
## KR-D Panel



● Black ○ White ● Silver



Card



Touch screen keypad



Low voltage alarm



Emergency power



Virtualization protection



Remote upgrade

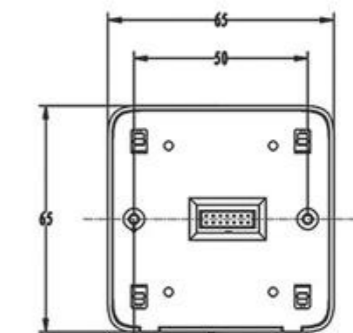


Public mode



Private mode

# Multi-unlock Cabinet Lock



2-M3 Installing screw hole

Material	ABS for lock body shell, Acrylic & PC for panel
Power consumption	Static power consumption <70uA Dynamic power consumption <300mA
Working voltage	DC6V(AAA 1.5Vx4pcs) Batteries can standby for around 1 year
Working environment	Working temperature -20°C ~ +65°C Working humidity 10% ~ 90%RH
Anti-static	Air static 15KV Touch static 8KV

## KR-S1030



Fingerprint



Mechanical keypad



Low voltage alarm



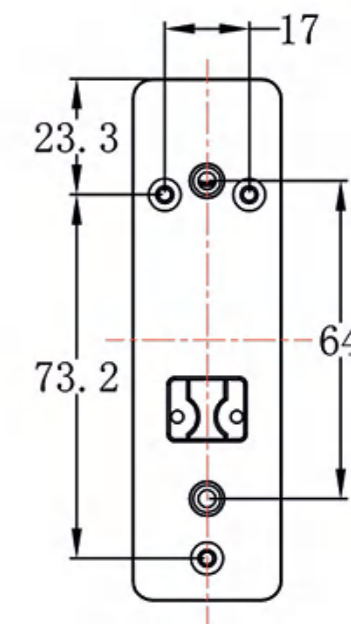
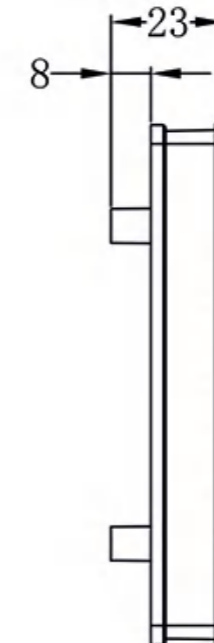
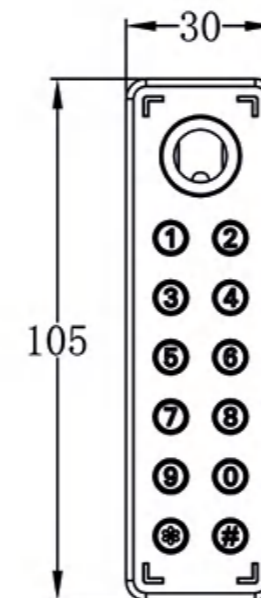
Emergency power



Public mode



Private mode



Material	Zinc alloy
Response time	0.1S
Protection class	/
Working voltage	3*1.5V AAA
Working life	
Low voltage alarm	3.6V
Working environment	-20° C~*65° C

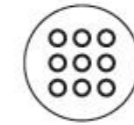
# KR-E45



● Black    ● Silver



Fingerprint



Touch screen keypad



Low voltage alarm



Emergency power



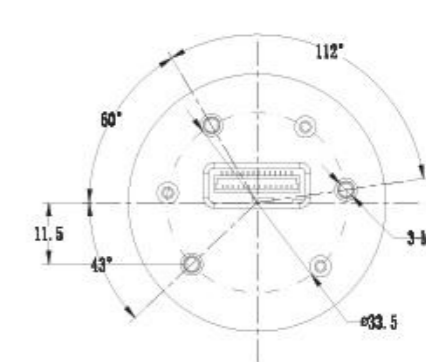
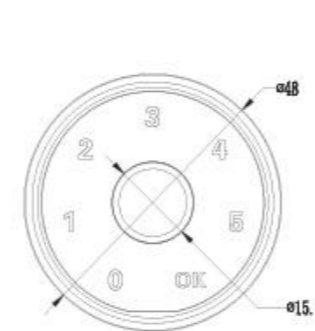
Remote upgrade



Public mode



Private mode



Material	ABS for lock body shell, 304 stainless steel & PC for panel
Power consumption	Static power consumption <100uA dynamic power consumption<200mA
Working voltage	DCEV(4*AAA 1.5V) Batteries can standby for around 1 year
Working environment	Working temperature -15°C ~ +65°C Working humidity 10% ~ 90%RH
Low voltage	Air static 15KV
Anti-air discharge	Touch static 8KV

Multi-unlock Cabinet Lock

# KR-E124



Card



Mechanical keypad



Low voltage alarm



Emergency power



Virtualization protection



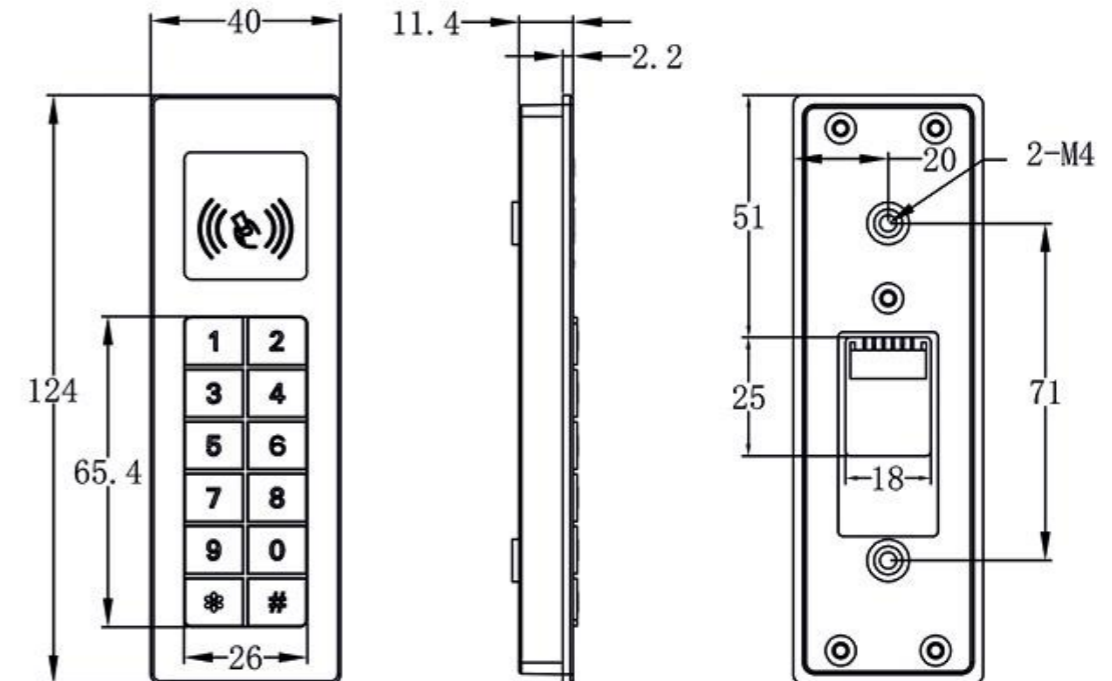
Remote upgrade



Public mode



Private mode



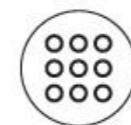
Material	ABS+PC+304 Stainless Steel
Response time	0.1S
Protection class	/
Working voltage	3*1.5V AA
Working life	100000 Times
Low voltage alarm	3.5V
Working environment	-20° C-~65° C



## KR-E110PC



Card



Touch screen keypad



Low voltage alarm



Emergency power



Virtualization protection



Remote upgrade



Public mode



Private mode

● Black ○ White ● Silver



KR-S61E110PC



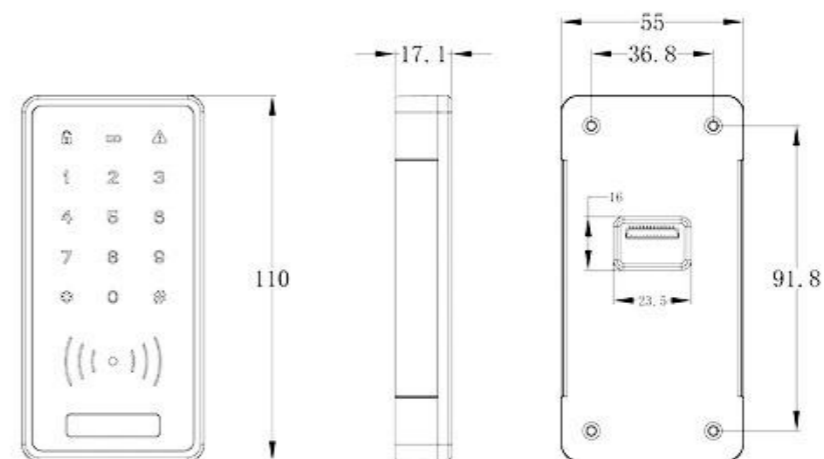
KR-S80E110PC



KR-S123E110PC



KR-S90E110PC

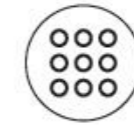


Material	ABS for lock body shell, Acrylic & PC for panel
Power consumption	Static power consumption <70uA Dynamic power consumption <300mA
Working voltage	DC6V(AAA 1.5Vx4pcs) Batteries can standby for around 1 year
Working environment	Working temperature -20°C ~ +65°C Working humidity 10% ~ 90%RH
Anti-static	Air static 15KV Touch static 8KV

# KR-E111PF



Fingerprint



Touch screen keypad



Low voltage alarm



Emergency power



Virtualization protection



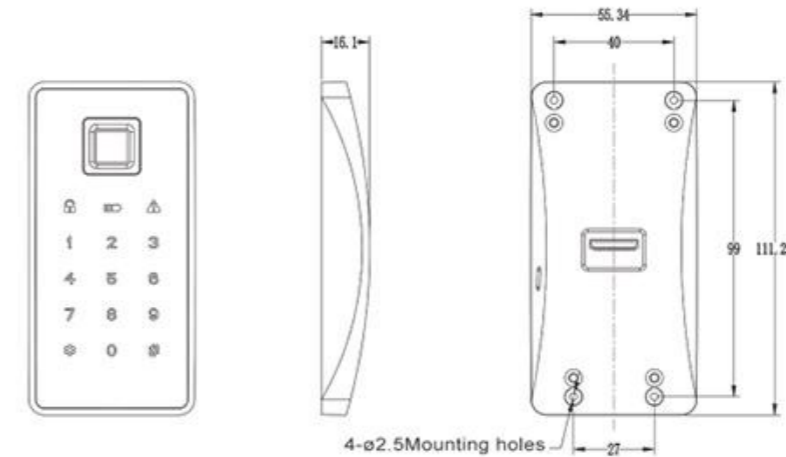
Remote upgrade



Public mode



Private mode



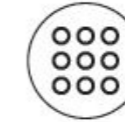
Material	ABS for lock body shell, Acrylic & PC for panel
Power consumption	Static power consumption <70uA Dynamic power consumption <300mA
Working voltage	DC6V(AAA 1.5Vx4pcs) Batteries can standby for around 1 year
Working environment	Working temperature -20°C ~ +65°C Working humidity 10% ~ 90%RH
Anti-static	Air static 15KV Touch static 8KV



# KR-E88



● Black ● Silver



Touch screen keypad



Low voltage alarm



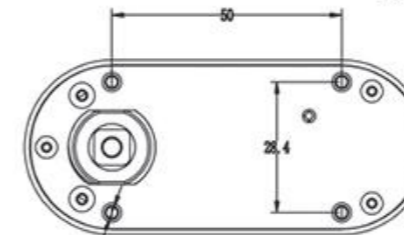
Emergency power



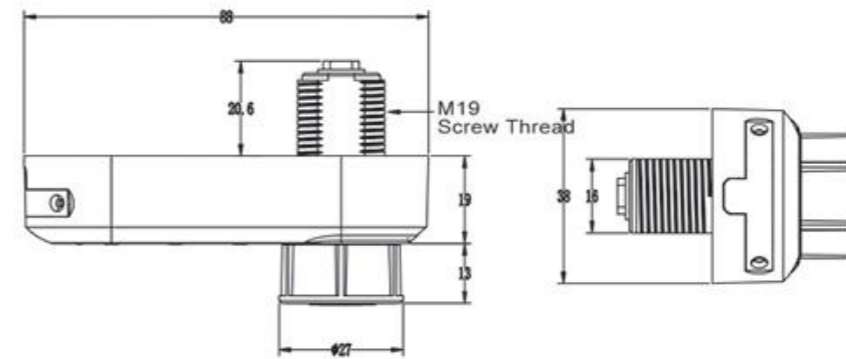
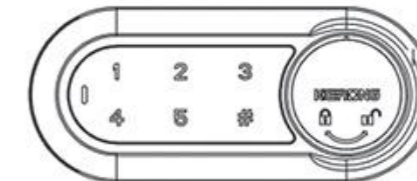
Public mode



Private mode



4-M3 Mounting Holes



## Electronic Cam Lock



Material	ABS+PC+Zinc Alloy
Standby power consumption	< 20uA
Response time	0.1S
Protection class	IP62
Working voltage	2*CR2032
Thickness of door	1-14mm
Low voltage alarm	2.5V±0.1V
Working environment	-20°C ~+65°C

## KR-T153



Mechanical keypad



Waterproof



Low voltage alarm



Emergency power



Virtualization protection



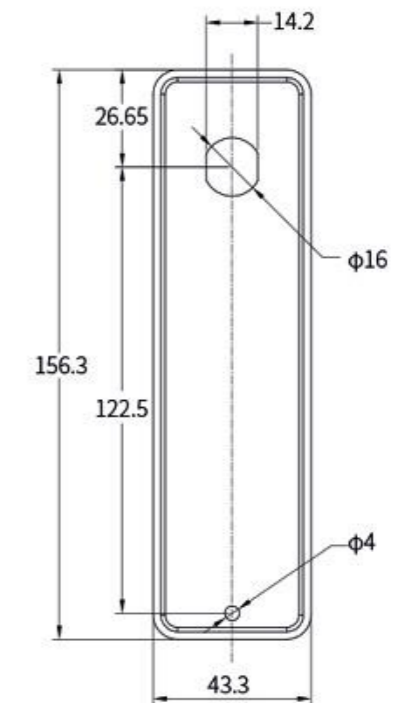
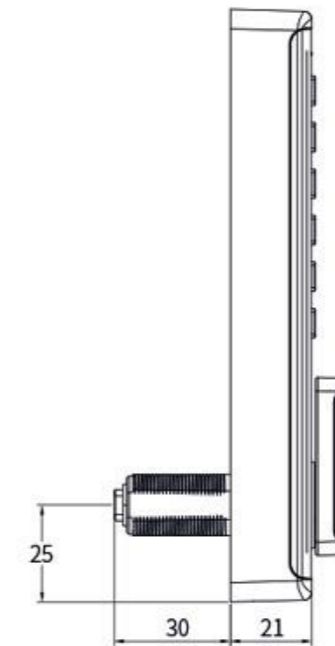
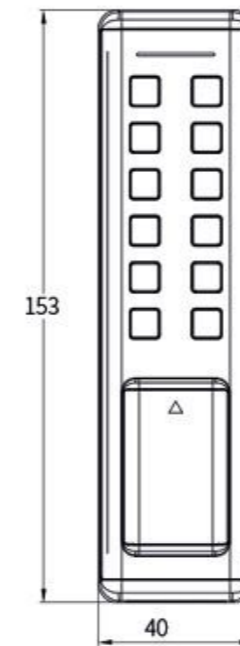
Remote upgrade



Public mode

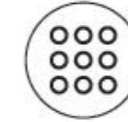


Private mode

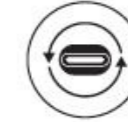


Material	ABS+PC+Zinc Alloy
Unlocking method	Password
Response time	0.1S
Protection class	IP66
Working voltage	3*AAA
Thickness of door	1~16mm
Low voltage alarm	3.7V
Working environment	-20°C ~+65°C

# KR-Y4621P



Touch screen keypad



Rechargeable



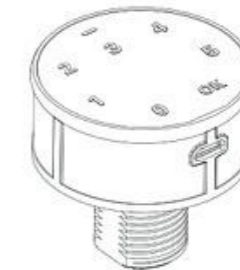
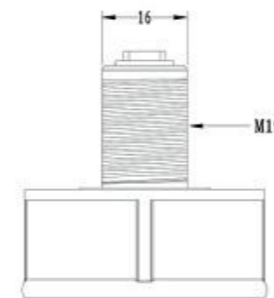
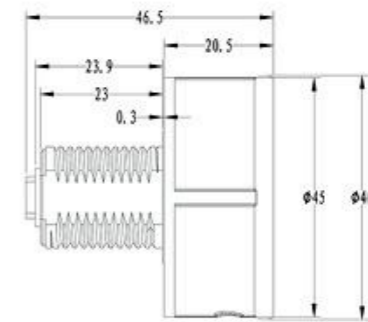
Low voltage alarm



Public mode



Private mode



Material	ABS+Zinc Alloy
Response time	0.1S
Protection class	/
Working voltage	3.7VCLY601622
Thickness of door	1~16mm
Low voltage alarm	3.5±0.1V
Working environment	-20°C ~+65°C

## KR-Y4621F



Fingerprint



Rechargeable



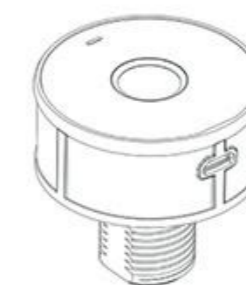
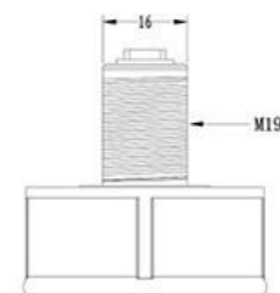
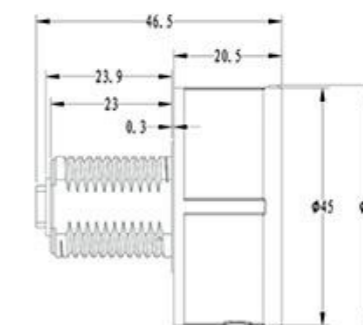
Low voltage alarm



Public mode



Private mode



Material	ABS+Zinc Alloy
Response time	0.1S
Protection class	/
Working voltage	3.7V CLY601622
Thickness of door	1~16mm
Low voltage alarm	3.5+0.1V
Working environment	-20°C ~+65°C

Electronic Cam Lock

# KR-E118



Fingerprint



Mechanical keypad



Key



Low voltage alarm



Virtualization protection



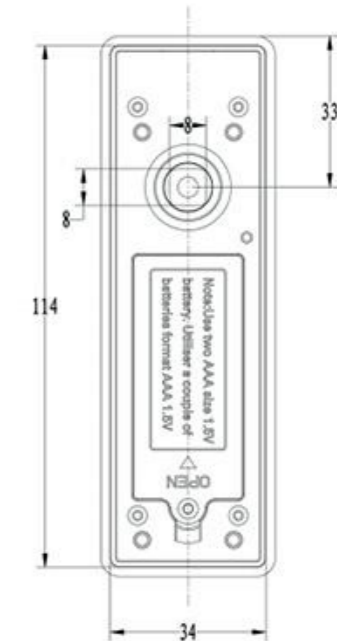
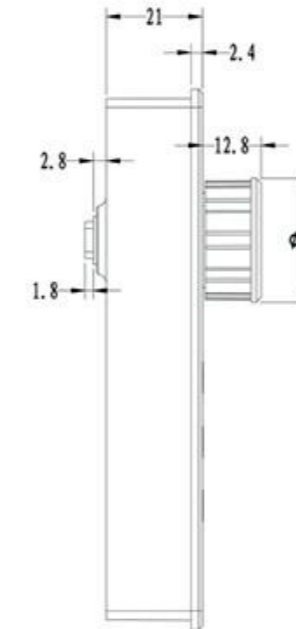
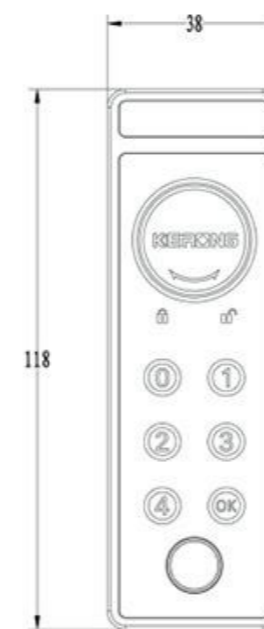
Emergency power



Public mode



Private mode



Material	ABS+PC+Zinc Alloy
Response time	0.1S
Protection class	/
Working voltage	3.7VCLY601622
Thickness of door	1~16mm
Low voltage alarm	3.5+0.1V
Working environment	-20°C ~+65°C

# KR-140B



Mechanical keypad



Touch screen keypad



Low voltage alarm



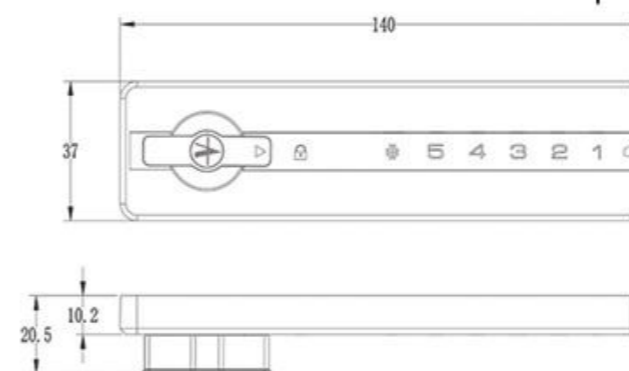
Emergency power



Public mode



Private mode



Silvery

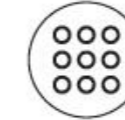
Stainless Steel Color



Rubber Button

Material	ABS+Zinc Alloy
static current	< 30uA
Response time	0.1S
Protection class	IP62
Working voltage	1*CR2032
Thickness of door	1-30mm
Low voltage alarm	2.5V±0.1V
Working environment	-15°C ~+65°C

# KR-E126



Touch screen keypad



Mechanical keypad



Low voltage alarm



Emergency power



Public mode



Private mode



Handle keyboard



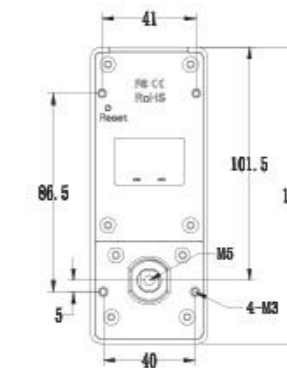
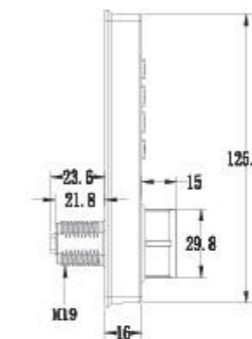
Mechanical keyboard



Touch keyboard



RFID

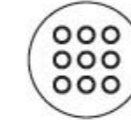


Material	ABS+PC+Zinc Alloy
static current	< 15uA@3V
Response time	0.1S
Protection class	IP62
Working voltage	2*AAA
Thickness of door	1-14mm
Low voltage alarm	<2.5V±0.1V
Working environment	-20°C ~+65°C

# KR-141



● Black    ○ White    ● Silver



Touch screen keypad



Low voltage alarm



Emergency power



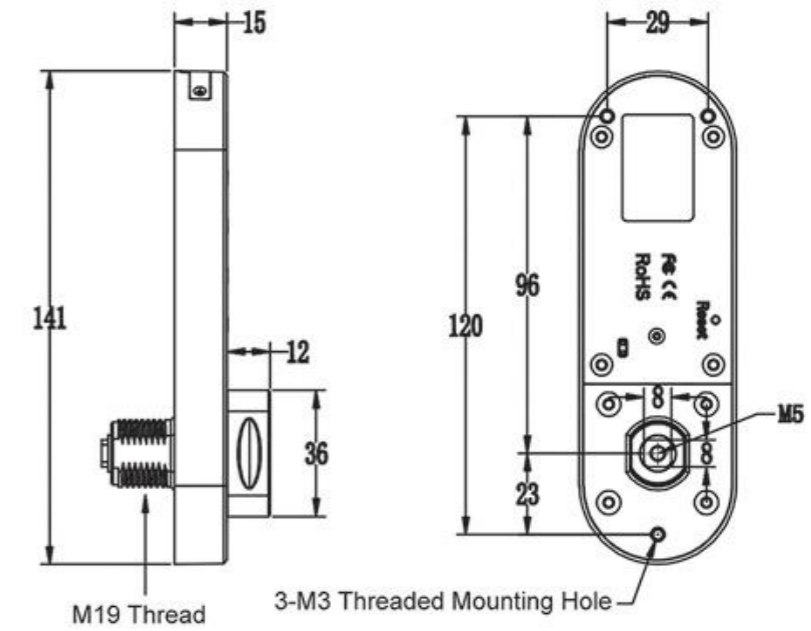
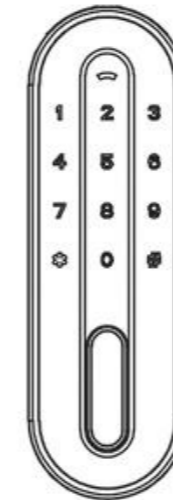
Virtualization protection



Public mode



Private mode



Material	ABS+PC+Zinc Alloy
Standby power consumption	< 20uA
Response time	0.1S
Protection class	IP62
Working voltage	2*CR2032
Thickness of door	1-13mm
Low voltage alarm	2.5V±0.1V
Working environment	-20°C ~+65°C



# KR-E9040



Mechanical keypad



Low voltage alarm



Emergency power



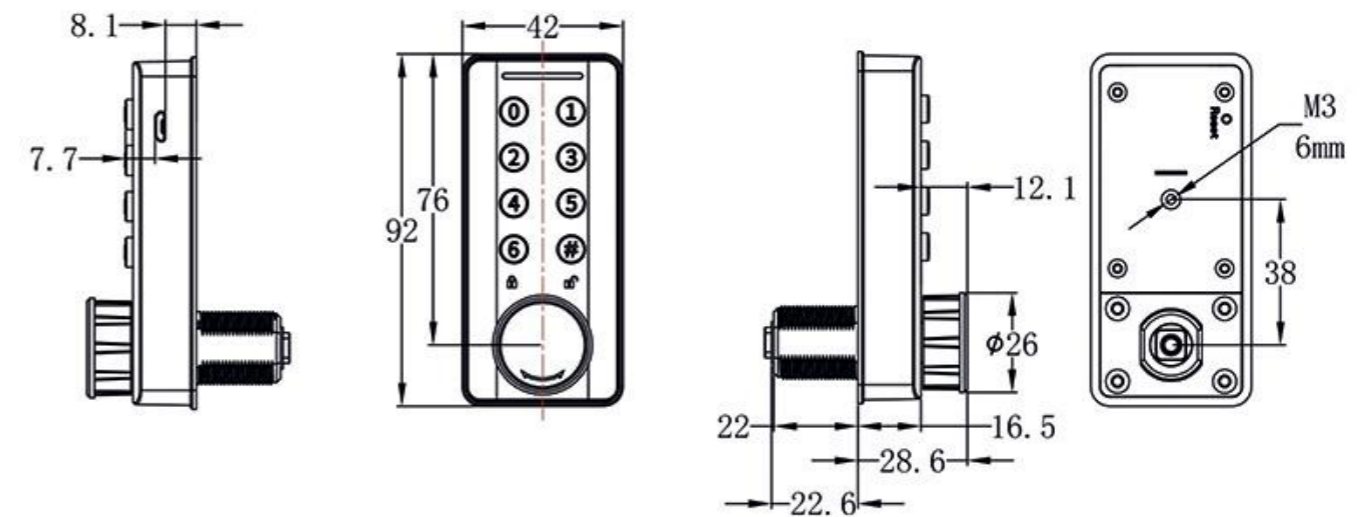
Virtualization protection



Public mode



Private mode



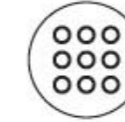
Material	ABS+PC+Zinc Alloy
Response time	0.1S
Protection class	/
Working voltage	3.7VCLY601622
Thickness of door	1~16mm
Low voltage alarm	3.5±0.1V
Working environment	-20°C ~+65°C

Electronic Cam Lock

# KR-S64A



● Black ○ White ● Silver



Touch screen keypad



Low voltage alarm



Emergency power



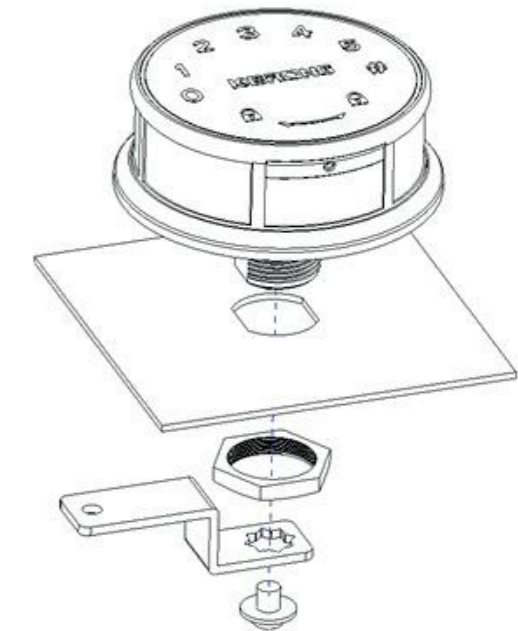
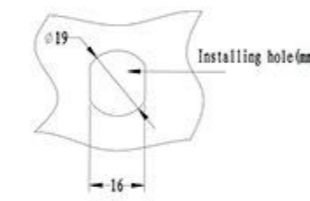
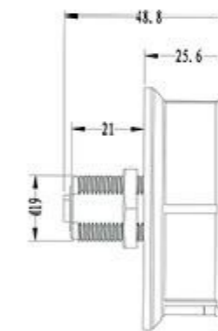
Remote upgrade



Public mode



Private mode



Material	ABS+PC+Zinc Alloy
Standby power consumption	< 25uA
Response time	0.1S
Protection class	IP63
Working voltage	1*CR2032
Thickness of door	1-15mm
Low voltage alarm	2.5V±0.1V
Working environment	-20°C ~+65°C

# KR-E109



● Black ○ White



Mechanical keypad



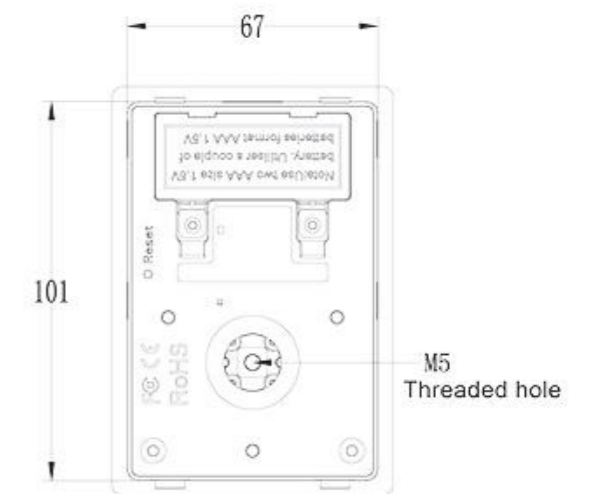
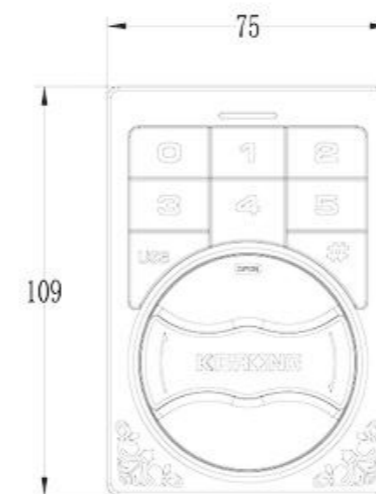
Low voltage alarm



Emergency power




Remote upgrade

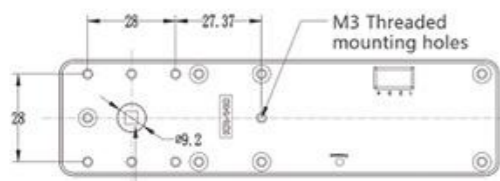
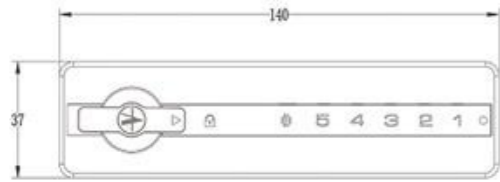


Material	ABS+PC+Zinc Alloy
Standby power consumption	< 20uA
Response time	0.1S
Protection class	IP62
Working voltage	2*AAA
Thickness of door	1-7mm
Low voltage alarm	2.5V±0.1V
Working environment	-20°C ~+65°C

# KR-140A



-  Touch screen keypad
-  Mechanical keypad
-  Low voltage alarm
-  Emergency power
-  Virtualization protection
-  Remote upgrade
-  Public mode
-  Private mode



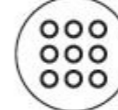





Docking with rear lock body

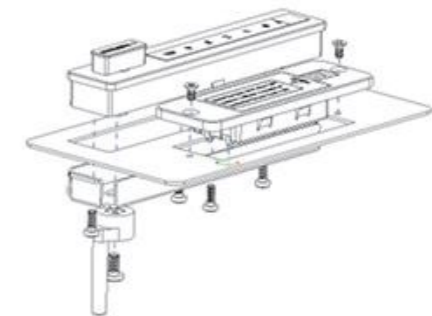
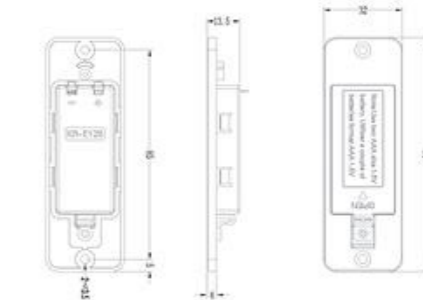
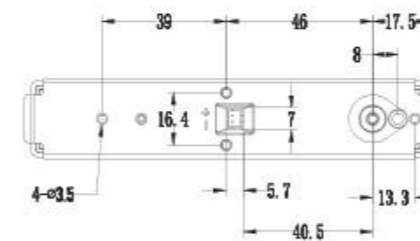
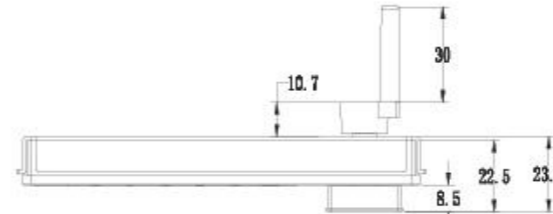


Material	ABS+Zinc Alloy
static current	< 30uA
Response time	0.1S
Protection class	IP62
Working voltage	1*CR2032
Thickness of door	1~30mm
Low voltage alarm	2.5V±0.1V
Working environment	-15°C ~+65°C

# KR-E125



-  Touch screen keypad
-  Mechanical keypad
-  Low voltage alarm
-  Emergency power
-  Public mode
-  Private mode



Material	ABS+PC+Zinc Alloy
static current	< 30uA
Response time	0.1S
Protection class	IP63
Working voltage	2*AAA
Thickness of door	1~13mm
Low voltage alarm	<2.45V
Working environment	-15°C ~+65°C

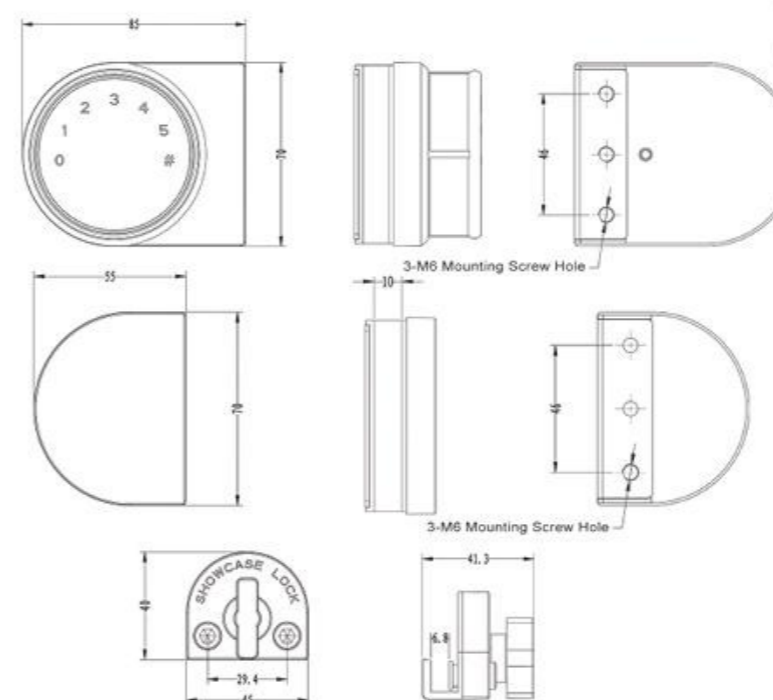


# Glass Cabinet Lock

## KR-S64G1



- Various working modes available (public mode, private mode etc), suit for different application.
- Low voltage alarm: if voltage is lower than 2.5V, lock will prompt with sound and light on every opening.
- Powered by 1\*3V button battery, and battery can be changed very easily.
- Various colors of lock can be chosen: black and white.
- Suit for various kinds glass cabinet door: single swing door and double swing door.



The buffer layer can effectively protect the glass  
Easy to install, no need to punch



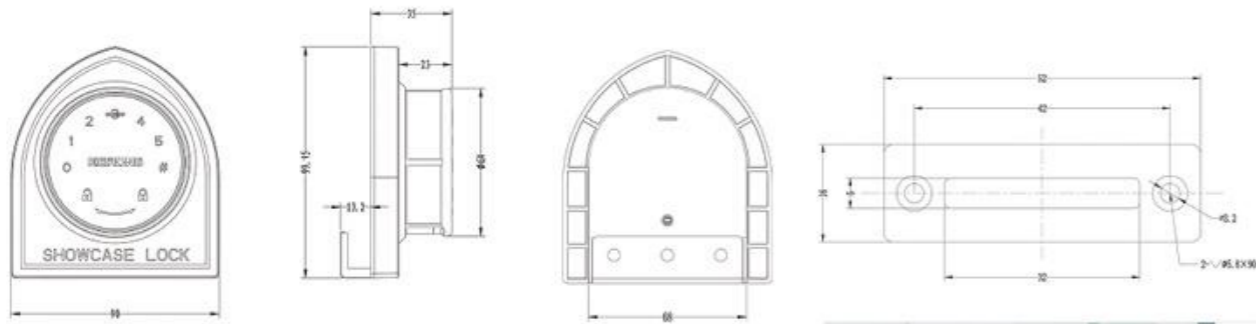
Material	Lock body: ABS+Zinc Alloy, Acrylic touch screen
Battery	DC 3V (1* button battery CR2032)
Static power consumption	<25 uA
Dynamic power consumption	<300 mA
Working temperature	-15°C~ +65°C
Warning voltage	2.5V
Low voltage	2.5V±0.1V
Anti-air discharge	15KV
Touch discharge	8KV

Glass cabinet lock

# KR-S64G2



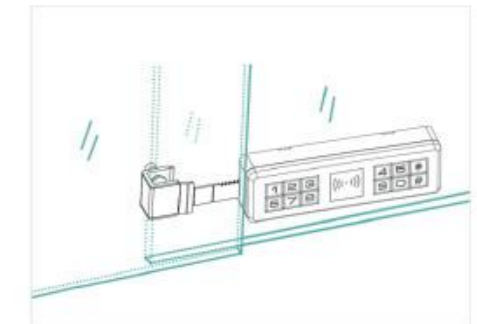
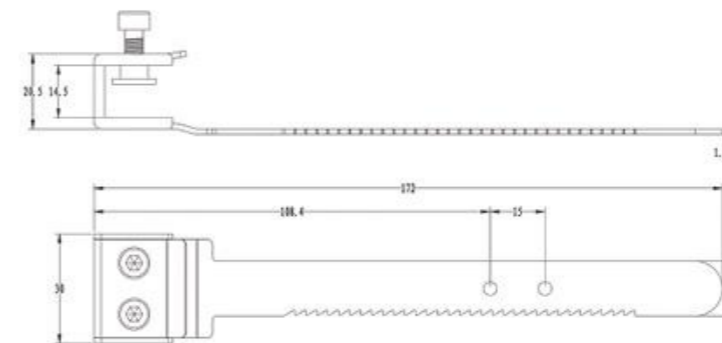
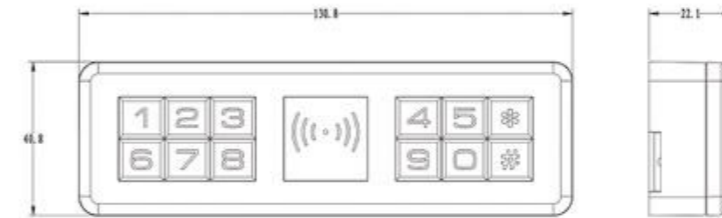
- Various working modes available (public mode, private mode etc), suit for different application.
- Low voltage alarm: if voltage is lower than 2.5V, lock will prompt with sound and light on every opening.
- Powered by 1\*3V button battery, and battery can be changed very easily.
- Various colors of lock can be chosen: black and white.
- Suit for various kinds glass cabinet door: single swing door and double swing door.



# KR-S120G



- Various working modes available (public mode, private mode etc), suit for different application.
- Emergency power supply solutions: low voltage alarm when lower than 2.5V, USB port for external power supply.
- Various colors of lock can be chosen: black and white.
- Can be unlocked by card & code.



Material	Lock body: ABS+Zinc Alloy, Acrylic touch screen
Battery	DC 3V (1* button battery CR2032)
Static power consumption	<25 uA
Dynamic power consumption	<300 mA
Low voltage	2.5V±0.1V
Anti-air discharge	15KV
Touch discharge	8KV
Working temperature	-20°C ~ +65°C
Working humidity	10%~90%RH

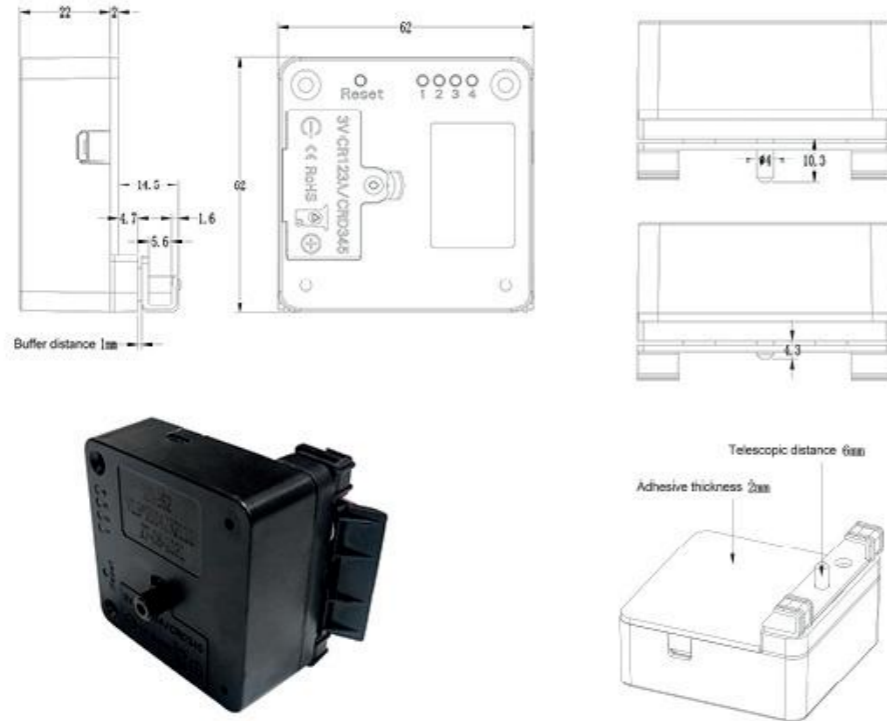
Material	Lock body shell is ABS, lock tongue is Zinc Alloy
Battery	DC3V(AA1.5×2)5#alkaline battery
Standby current	<25 uA
Load current	<300 mA
Working temperature	-15°C ~ +65°C
Extreme low voltage	lower than 1.5V, cannot unlock
Low voltage	2.5V±0.1V
Anti-air discharge	15KV
Touch discharge	8KV



# KR-E62



- Various working modes available, suit for different applications.
- Lock will prompt with sound when swipe correct/wrong card, battery is in low voltage, unlocking for a long time
- Low voltage alarm: When battery's voltage is lower than 2.5V, light will shine in blue and lock sounds "di di" for 8 times on every opening to remind user to change new battery.
- Locking protection: Input wrong code/card, lock will shine in red twice and prompt with "di di". Wrong for 5 times continuously, lock will be unavailable for 5 mins



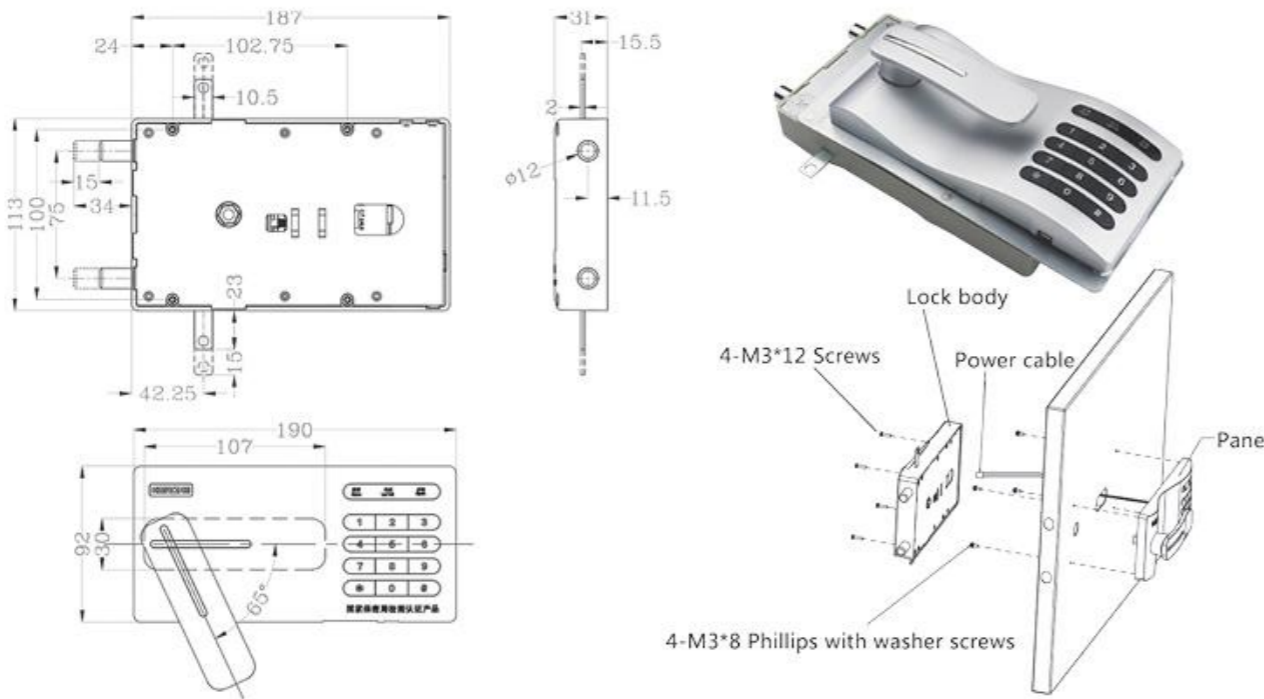
Material	ABS+PC
Battery	CR123A 3V battery
Static power consumption	<25 mA
Dynamic power consumption	<300 mA
Working temperature	-20°C ~65°C
Low voltage	2.5V
Anti static	Air static 15KV
	Touch static 8KV



# KR-210



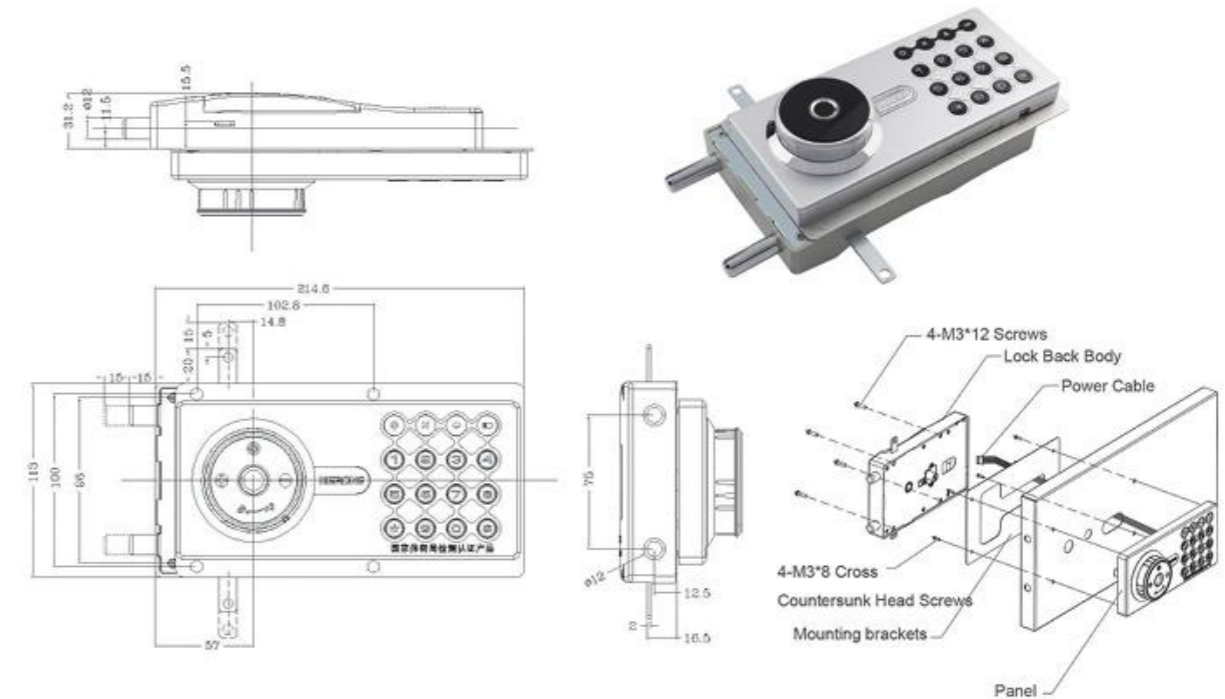
- Three working modes suit for different applications, public mode, private mode, limited public mode.
- Suitable for furniture, office cabinet, file cabinet, etc.
- Suitable for different locker material, MDF, metal, wooden, etc.
- Can be unlocked by 4~10 digits password.
- With messy code protection, and OTP for emergency unlocking.
- With low voltage alarm, and other solutions for emergency power supply.
- With rubber button to input password.



# KR-211



- Suitable for furniture, office cabinet, file cabinet, etc.
- Suitable for different locker material, MDF, metal, wooden, etc.
- Can be unlocked by 4~10 digits password.
- With messy code protection, and OTP for emergency unlocking.
- With low voltage alarm, and other solutions for emergency power supply.
- With rubber button to input password.



Material	Button: ABS
Front panel	Zinc Alloy
Lock shell	ABS, can withstand 300N pressure and impact
Battery	DC 6V(AA1.5×4) 5# alkaline battery
Load current	<180mA
Working temperature	-15°C ~ +65°C
Working humidity	10%-90%RH
Air static	15KV
Touch static	8KV



Material	Button: ABS, Front panel: Zinc Alloy, Lock shell: ABS
Battery	DC6V(AA1.5×4)5# alkaline battery
Load current	ABS, can withstand 300N pressure and impact
Voltage range	<230mA
Low voltage	4.1V~7.5V
Working temperature	4.7V±0.1V
Working humidity	-20°C ~+65°C
Air static	10%-90%RH
Touch static	15KV
Touch static	8KV

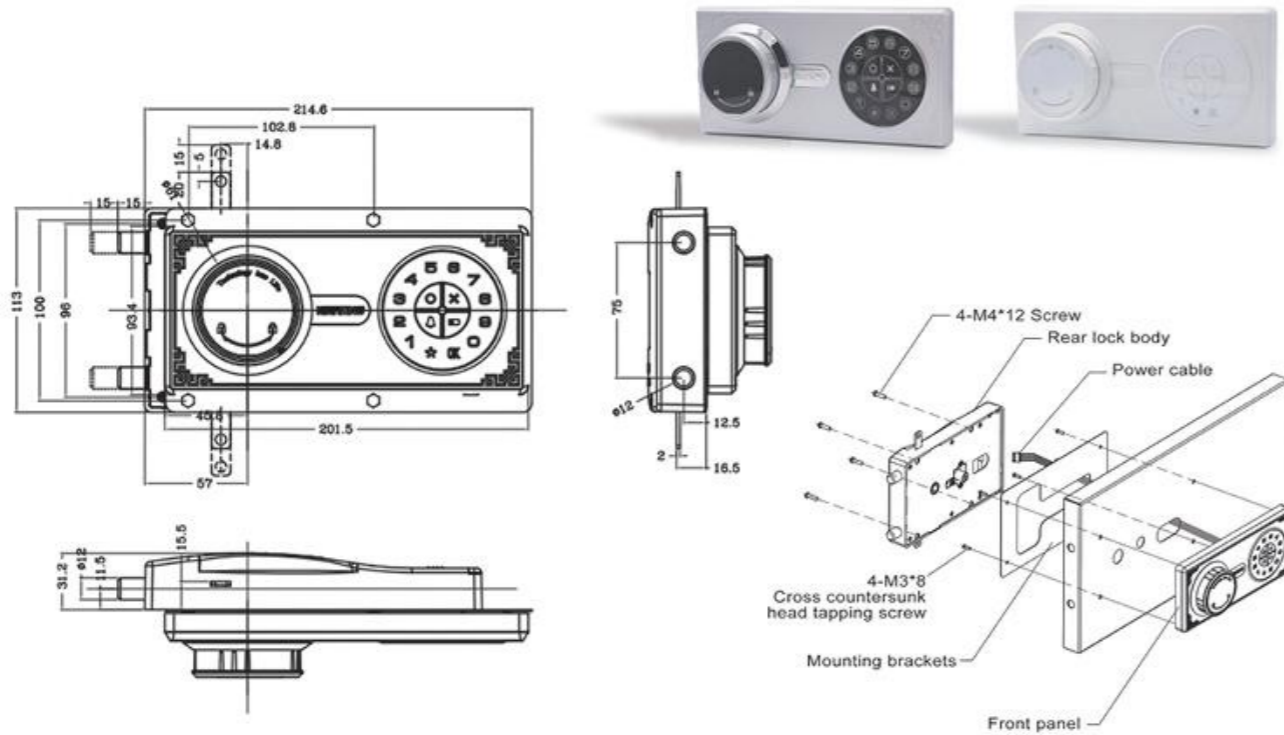




# KR-212



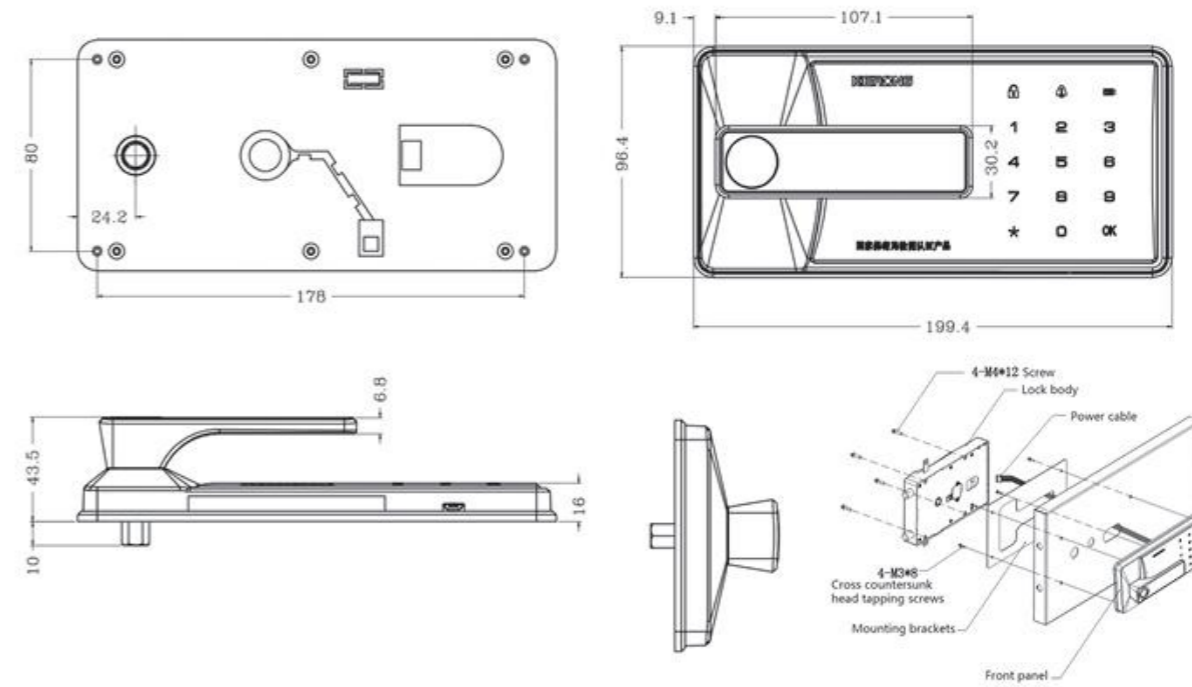
- Suitable for furniture, office cabinet, file cabinet, etc.
- Suitable for different locker material, MDF, metal, wooden, etc.
- Can be unlocked by 4~10 digits password.
- With messy code protection, and OTP for emergency unlocking.
- With low voltage alarm, and other solutions for emergency power supply.
- With rubber button to input password.



# KR-213



- Low voltage alarm: if voltage is lower than 4.8V, lock will prompt with blue light and continuous beeps 8 sounds after opening, during this time period, it can still be unlocked more than 100 times.
- 4~10 digit passwords with random setting for unlocking.
- Random order password function and OTP unlocking way keep high safety.
- Support single/double code unlocking.
- Two ways for power supply: 4\*1.5V AA battery & 6V DC by Micro USB connector for emergency.



Material	ABS
Standby power consumption	<40uA
Working current	<250ma
Working voltage	4.1V-7.5V (typical value: 6V)
Working temperature	-20°C ~ +65°C
Working humidity	10%-90%RH
Air static	15KV
Touch static	8KV
Low voltage alarm	4.7V±0.1V



Material	Aluminum alloy die-casting + ABC with environmentally friendly baking varnish
Power consumption	Load current<180mA Standby current<15uA
Working voltage	DC6V(AA1.5×4)5# alkaline battery Low voltage: 4.8V
Working environment	Working temperature: -15°C ~ +65°C Working humidity: 5% ~ 95%RH
Anti-static	Air static: 15KV Touch static: 8KV

